

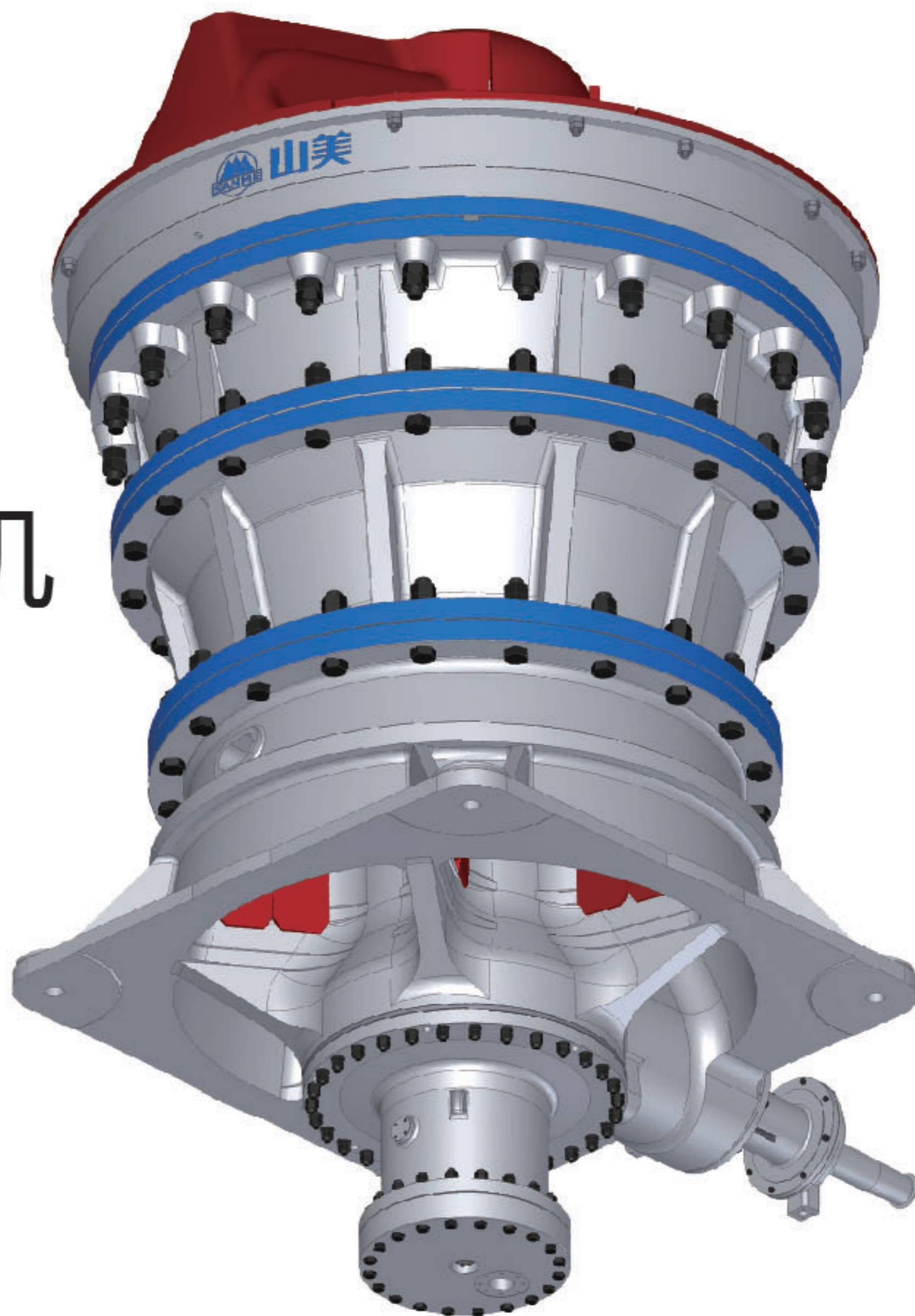


SANME



SMX 系列 旋回式破碎机

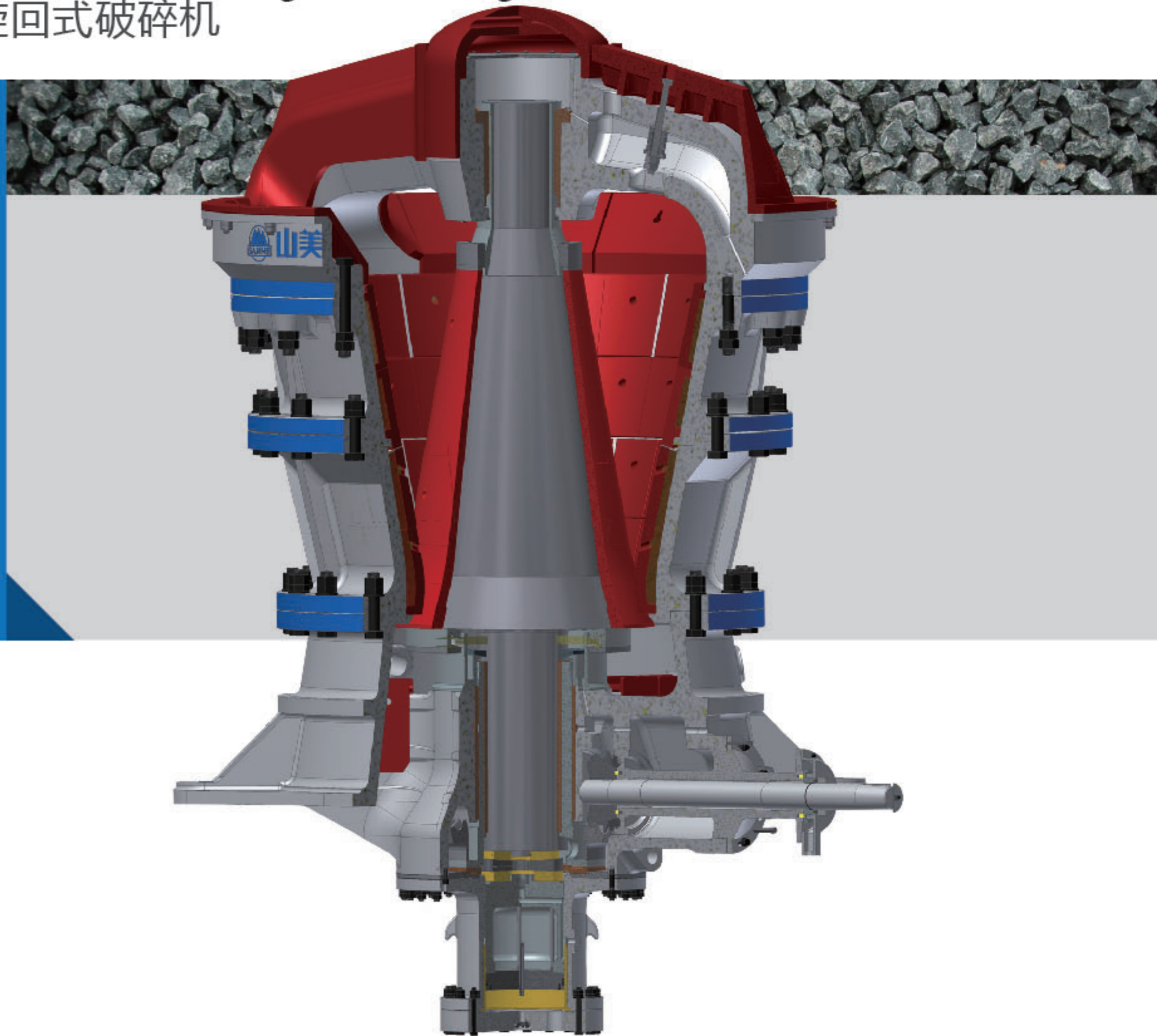
*SMX Series
Gyratory Crusher*



上海山美重型矿山机械有限公司
SHANGHAI SANME MINING MACHINERY CO., LTD.
(中德合资控股)
(Sino-German JV Holding)

SMX Series Gyratory Crusher

SMX系列旋回式破碎机



Gyratory crusher is a large-scale crushing machine used for primary crushing of various hard ores or rocks, the feed material will be compressed, broken and bended through gyrating movement of breaking head within the chamber. The top of main shaft (assembled with breaking head) is supported within the bushing which is installed in the middle of spider arm; the bottom of the main shaft is mounted in the eccentric hole of bushing. The breaking head gives a gyrating movement around axis line of the machine while bushing rotating, and feed material can be crushed continuously, therefore it is more efficient than jaw crusher.

旋回破碎机是利用破碎锥在壳体内锥腔中的旋回运动,对物料产生挤压、劈裂和弯曲作用,粗碎各种硬度的矿石或岩石的大型破碎机械。装有破碎锥的主轴的上端支承在横梁中部的衬套内,其下端则置于轴套的偏心孔中。轴套转动时,破碎锥绕机器中心线作偏心旋回运动它的破碎动作是连续进行的,故工作效率高于颚式破碎机。

Technical Data

设备技术参数

型号 Model	进料口尺寸 Feed Opening Size(mm)	排料口调整范围 Discharge Range(mm)	生产能力 Capacity(t/h)	电机功率 Motor Power(kw)
SMX810	1100	140-170	1120-1880	355
SMX830	1300	140-170	1560-2370	355
SMX1040	1400	160-210	2081-3015	450
SMX1050	1500	160-210	2350-3380	450
SMX1150	1500	175-220	3805-4930	800
SMX1450	1500	200-250	5315-6813	1100

Note:

The above capacities are based on an assumed feed where 100% of the feed passes 80% of the feed opening. 80% of the feed passes 60% of the feed top size, and 50% of the feed passes a sieve size that is 10% of the top size. The capacities are for feed materials with a bulk density of 1.6 metric tons per cubic meter (100 pounds per cubic foot). All capacities are calculated at a maximum throw for each respective machine. All capacities are relative to individual application. Material characteristics, feed size, distribution, work index, percent moisture, and feed method are factors when considering total crusher capacity.

Please consult Sanme to verify your capacity requirements.

注:

上述生产能力均根据以下假设条件:

给料的粒度分布满足 100% 小于最大给料口尺寸的 80%，80% 小于最大给料口尺寸的 60%，和 50% 小于最大给料口尺寸的 10%。对应的破碎机生产能力，适用于松散密度为 1.6t/m³ 物料。所有生产能力均为设备的最大偏心距时的计算值。所有生产能力均与各种不同用途相关。确定破碎机的总生产能力时，应考虑物料特性、给料粒度分布、功指数、湿度百分比和给料方式等因素。

请致电山美，以确定您的生产能力要求。

Features and Benefits

特点及优势

Due to high reduction ratio, a smaller product size is produced. This puts less pressure on conveyor belt transfer points, which in turn leads to less materials handling costs, less down-time and less maintenance costs.

Special liner & crushing chamber configuration produces more valuable cubically shaped, lumpy product and less fines.

Special design means crushers do not have to be choke-fed, simplifying plant design & eliminating the need for intermediate stockpile.

Heavy duty gyratory design is ideal for crushing hard and abrasive material like iron ore.

由于破碎率较高，所以产出的产品粒度较小。这样减少了皮带机转运点的压力，从而减少了物料处理成本，降低了停车时间并且减少了维护成本。

特殊的衬板及破碎腔结构可以生产更多的有价值的立方体块状产品，减少了细碎颗粒的产出。

特别的设计意味着破碎机不会有过饱进料，简化了生产线的设计，省去了过渡料堆。

重载旋回设计对于破碎像铁矿石这样较硬的磨蚀性材料是理想的选择。



上海山美环保装备股份有限公司
SHANGHAI SANME MINING MACHINERY CORP., LTD.
(中德合资控股)
(Sino-German JV Holding)



山美股份官方微信

版权所有 翻印必究 中国印制 Printed in China
SANME-23C | SMX | 2020-10 | 5000

地址：上海市奉贤区青村镇奉村路 258 号
邮编：201414
电话：021-5759 1166 5759 1188
传真：021-5756 6188 5820 0089
网址：www.shsmzj.com
电邮：info@sanmecorp.com

Add: No.258, Fengcun Road, Qingcun County, Fengxian District,
Shanghai 201414, China
Tel: +86-21-5712 1166 5759 1188
Fax: +86-21-5756 6188 5820 0089
Website: www.sanmecrusher.com
E-mail: sales@sanmecorp.com

免费热线：400-921-5566
售后专线：021-5712 7766

Free Hotline: 400-921-5566
Service Center: +86-21-5712 7766

- ◎ 我们的产品在不断的更新和改进中，我们保留在未事先告知用户的情况下，更改参数及设计的权力。
Our products are constantly updated and improved, we reserve the right to change parameters and design without advance notification of customers.
- ◎ 照片中产品外观颜色与实际机型存在差异，颜色标准以实物为准。
If there are any discrepancy and difference between color of product appearance and actual machine type in the picture, color standard is subject to actual object.
- ◎ 本手册中的配置不一定是出厂标准配置，购买时请详细咨询我们。
Specifications and design in the brochures are not always the standard. Please consult us particularly when purchasing.