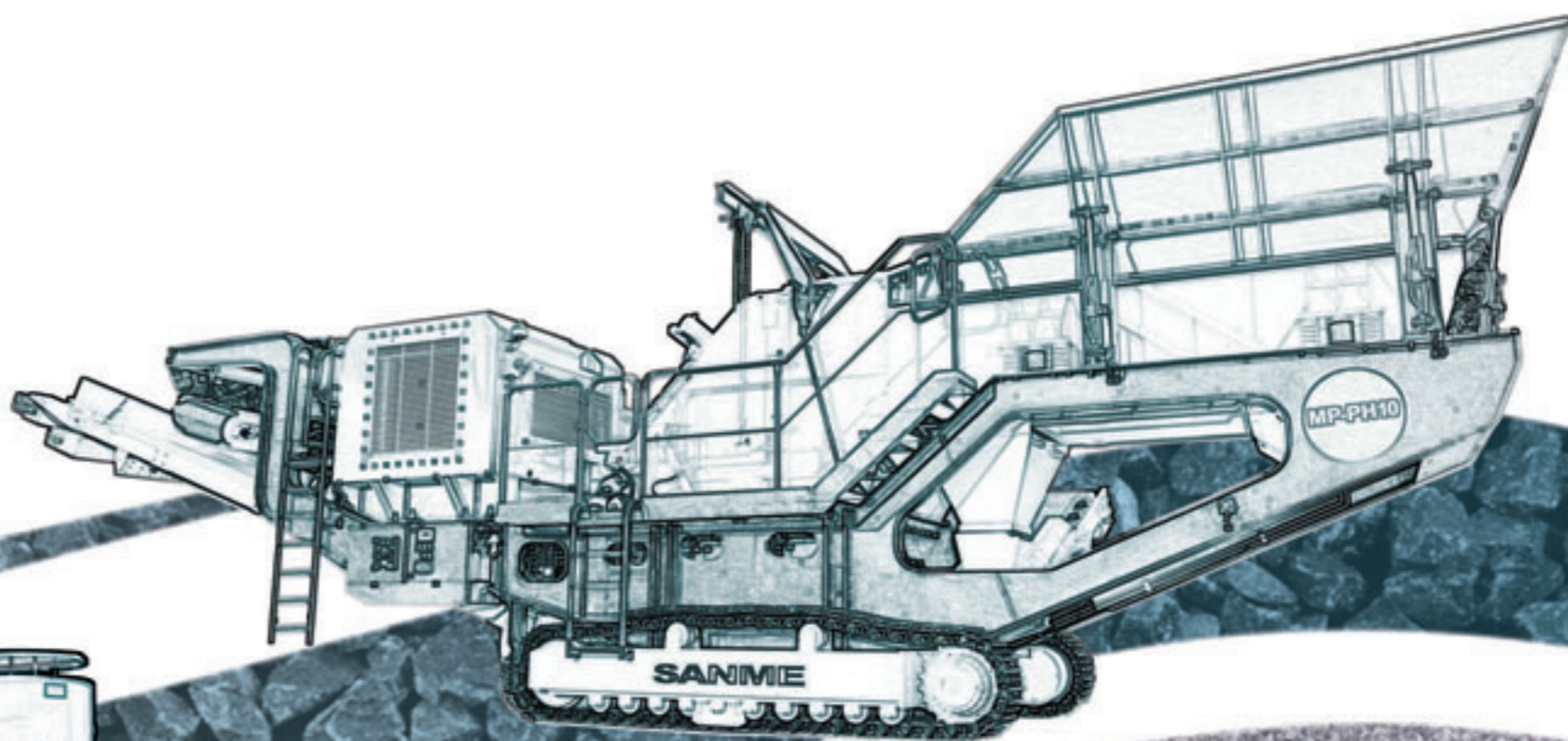
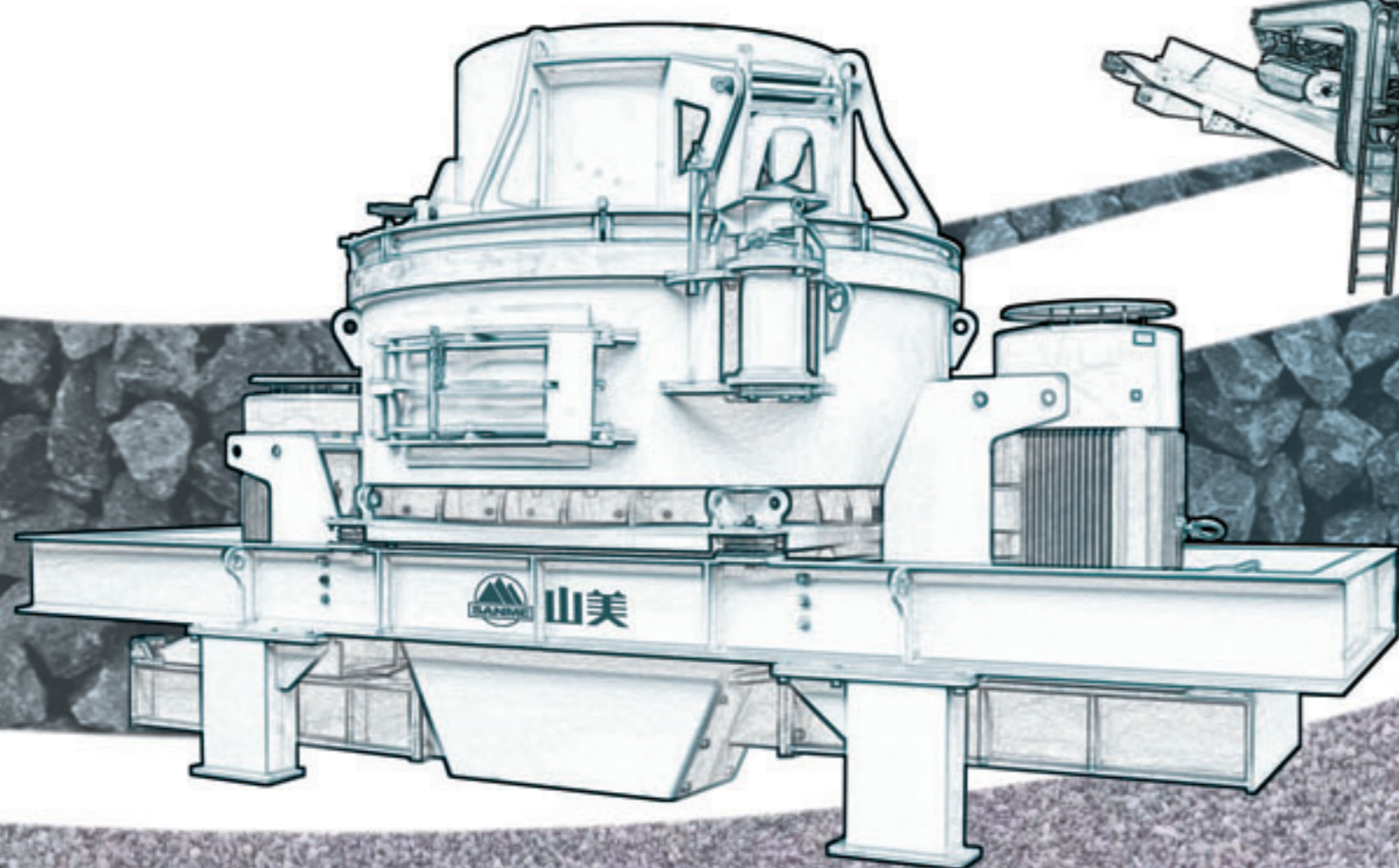
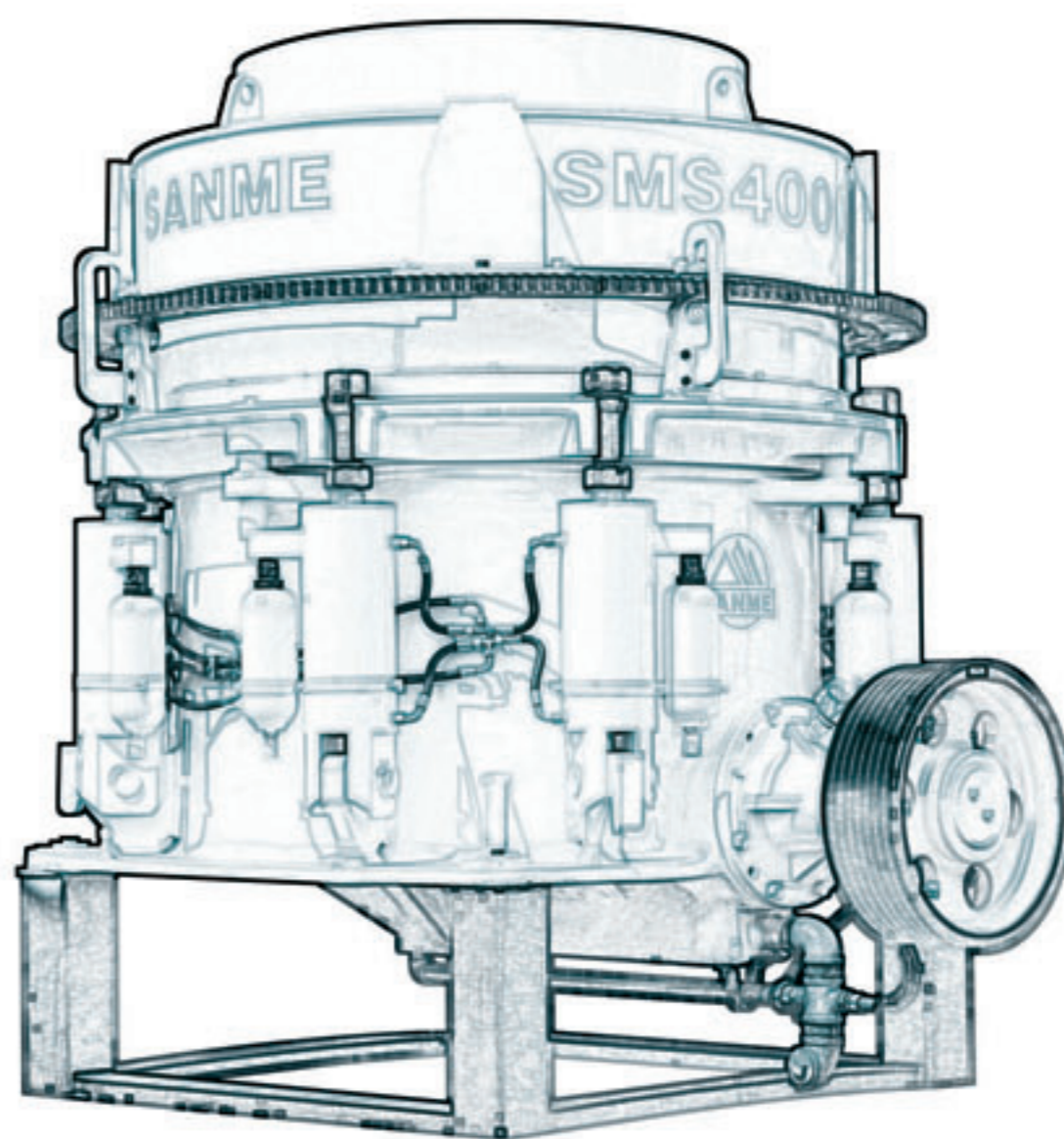
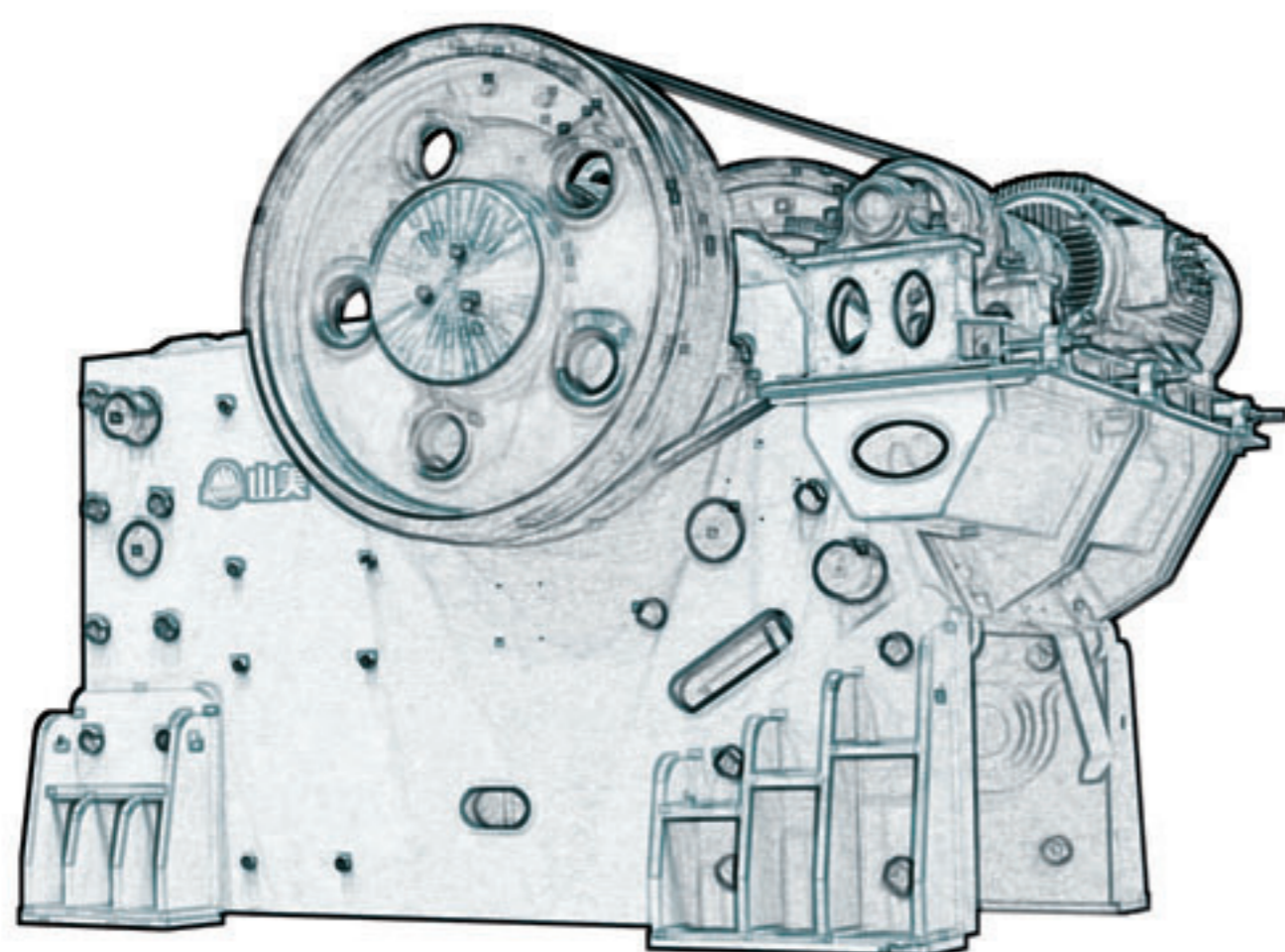


绿色砂石骨料生产系统完整解决方案专家  
Crushing and Screening Equipment Manufacturer  
固废处理及资源化领域综合服务提供商  
Aggregates Processing Total Solution Expert



山美  
中德合资控股



# SANME

上海山美环保装备股份有限公司(中德合资控股)(Sino-German JV Holding)  
SHANGHAI SANME MINING MACHINERY CORP., LTD.

公司介绍 Company Profile	01
中德合资控股 Sino-German JV Holding	02
企业资质和荣誉 Enterprise's Qualifications and Honours	03
<b>砂石骨料生产设备 Aggregates Production Equipment</b>	
JC系列颚式破碎机 JC Series Jaw Crusher	05
SMS系列多缸液压圆锥破碎机 SMS Series Cone Crusher	07
SMH系列多缸液压圆锥破碎机 SMH Series Cone Crusher	09
SMG系列单缸液压圆锥破碎机 SMG Series Cone Crusher	11
HC系列反击式破碎机 (粗碎) HC Series Impact Crusher	15
HSI系列反击式破碎机 (细碎) HSI Series Impact Crusher	16
VC7系列立式冲击破碎机 VC7 Series Vertical Shaft Impact Crusher	17
VSI系列立式冲击破碎机 VSI Series Vertical Shaft Impact Crusher	18
S系列制砂楼 S Series Building-like Sand-maker	19
C系列制砂楼 C Series Building-like Sand-maker	21
PP系列轮胎移动颚式破碎站 PP Series Portable Jaw Crushing Plant	23
PP系列轮胎移动圆锥式破碎站 PP Series Portable Cone Crushing Plant	24
PP系列轮胎移动反击式破碎站 PP Series Portable Impact Crushing Plant	27
PP系列轮胎移动立式冲击破碎站 PP Series VSI Crushing Plant	29
PP系列轮胎移动筛分站 PP Series Portable Screening Plant	30
MP-J系列履带移动颚式破碎站 MP-J Series Mobile Jaw Crushing Plant	31
MP-C系列履带移动圆锥式破碎站 MP-C Series Mobile Cone Crushing Plant	33
MP-VSI系列履带移动立式冲击破碎站 MP-VSI Series Mobile VSI Crushing Plant	34
MP-PH系列履带移动反击式破碎站 MP-PH Series Mobile Impact Crushing Plant	35
MP-S系列履带移动筛分站 MP-S Series Mobile Screening Plant	37
履带式取料机 Crawler Reclaimer	38
SMX系列旋回破碎机 SMX Series Gyratory Crusher	39
新型插拔式双齿辊筛分破碎机 Plug-in Type Double Toothed Roller Crusher	40
TES系列三轴椭圆筛 TES Series Triaxial Elliptical Screen	41
ZK系列直线振动筛 ZK Series Linear Vibrating Screen	42

YK系列圆振动筛	YK Series Inclined Vibrating Screen	43
ZSW系列振动给料机	ZSW Series Vibrating Feeder	44
GZT系列棒条给料机	GZT Series Vibrating Feeder	45
GZG系列振动给料机	GZG Series Vibrating Feeder	46
ZSWF系列重型给料筛	ZSWF Series Heavy Feeding Screen	47
ZSFA系列重型给料筛	ZSFA Series Heavy Feeding Screen	47
XL系列螺旋洗砂机	XL Series Sand Washer	48
XS系列轮式洗砂机	XS Series Sand Washer	49
SS系列细砂回收装置	SS Series Fine Sand Recovery System	50
CXFL系列粗细粉分离机	CXFL Series Powder Separator	51
SMFX系列高效复合式砂石选粉机	SMFX Series Compound Aggregate Separator	52
RCYB系列悬挂式永磁除铁器	RCYB Series Manual-Cleaning Permanent Magnetic Separator	53
RCYD系列自卸式永磁除铁器	RCYD Series Belt Permanent Magnetic Separator	53
<b>建筑固废处理设备 Construction Waste Recycling Equipment</b>		
SMW系列轻飘物分离机	SMW Series Floating Material Separator	54
LS系列轻物质分离器	LS Series Light Material Separator	54
BHF系列带式浮选机	BHF Series Belt Floater	55
PPHF系列移动式带式浮选机	PPHF Series Portable Belt Floater	56
DMC、HDMC系列单机袋式除尘器	DMC, HDMC Series Single-machine Bag Filter	57
FSMC系列袋式除尘器	FSMC Series Bag Filter	58
双轴撕碎机	Double Shaft Shredder	59
滚筒筛	Trommel Screen	60
张弛筛	Flip Flow Screen	61
星盘筛	Star Screen	62
磨粉机	Grinding Mill	63
国内外工程案例	Project Example	65
泥水净化系统	Muddy Water Clarification System	79
我们的客户	Our Customers	80

SHANGHAI 上海山美环保装备股份有限公司  
(中德合资控股) (Sino-German JV Holding)

# SANME

MINING MACHINERY CORP., LTD.



华新水泥（长阳）时产2000吨白云岩骨料生产EPCO项目  
EPCO Project of 2000TPH Dolomite Aggregate Productions for Huaxin Cement



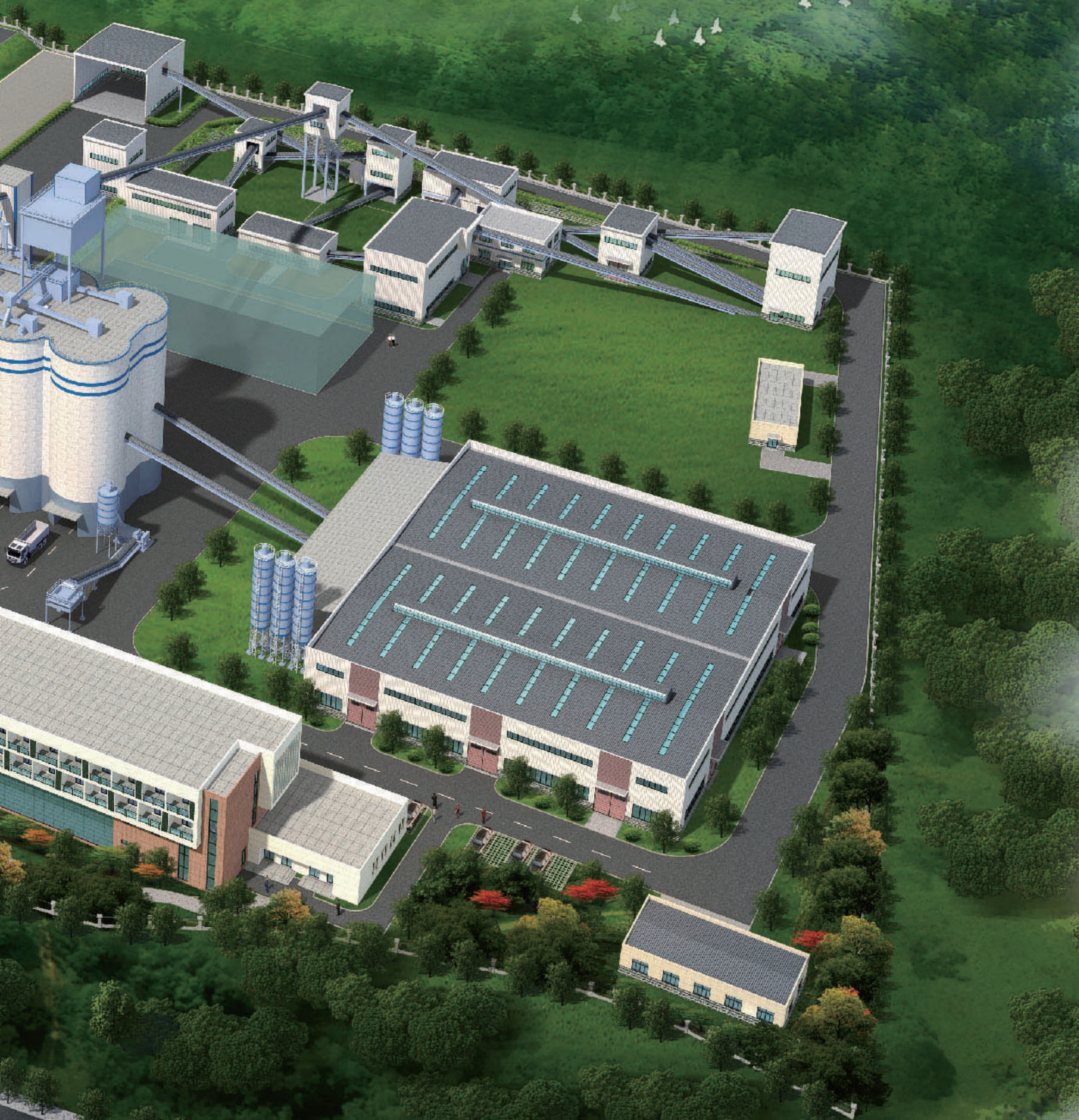


浙江中天集团年处理150万吨建筑固废绿色循环再利用生产线  
Construction Waste Recycling Production Line with Capacity of 1.5 million tons per year  
in Zhejiang, China

SHANGHAI 上海山美环保装备股份有限公司  
(中德合资控股) (Sino-German JV Holding)

# SANME

MINING MACHINERY CORP., LTD.



SHANGHAI 上海山美环保装备股份有限公司  
(中德合资控股) (Sino-German JV Holding)

# SANME

MINING MACHINERY CORP., LTD.

东方希望  
EAST HOPE

年设计产量500万吨精品楼站式机制砂生产工厂(一期)  
High Quality Manufactured Sand Making Production Line with design capacity  
of 5 million tons per year (Phase I)





上海山美环保装备股份有限公司（原上海山美重型矿山机械股份有限公司），是中德合资控股企业，绿色砂石骨料生产系统完整解决方案专家，固废处理及资源化领域综合服务提供商。

公司总部位于上海，拥有现代化制造车间、研发中心和集团管理中心。企业除了可以制造成套破碎筛分装备，还能够提供全系列破碎筛分完整解决方案，包括骨料生产线EPCO及矿山设计运营总承包服务。

山美股份依托中德合资技术，精良的装备制造能力，以及成熟的解决方案交钥匙能力，在绿色砂石骨料生产、建筑废弃物资源化利用、矿物加工等行业和领域得到广泛应用，已与拉法基、豪瑞、中材国际、中国建材、中联水泥、华新水泥、海螺水泥、东方希望、首钢资源、中天集团、中城绿建等中外知名企业成功合作，成为国内外砂石骨料、建筑固废等大型建材、环保企业的连续供应商，为其提供了技术成熟、性能优良的绿色智能砂石骨料生产线和建筑废弃物循环利用示范生产线，并已出口到世界上一百多个国家和地区，包括欧洲、美国、澳洲、新西兰等。

我们的目标是为全球客户提供值得信赖的产品和服务，为客户创造价值。

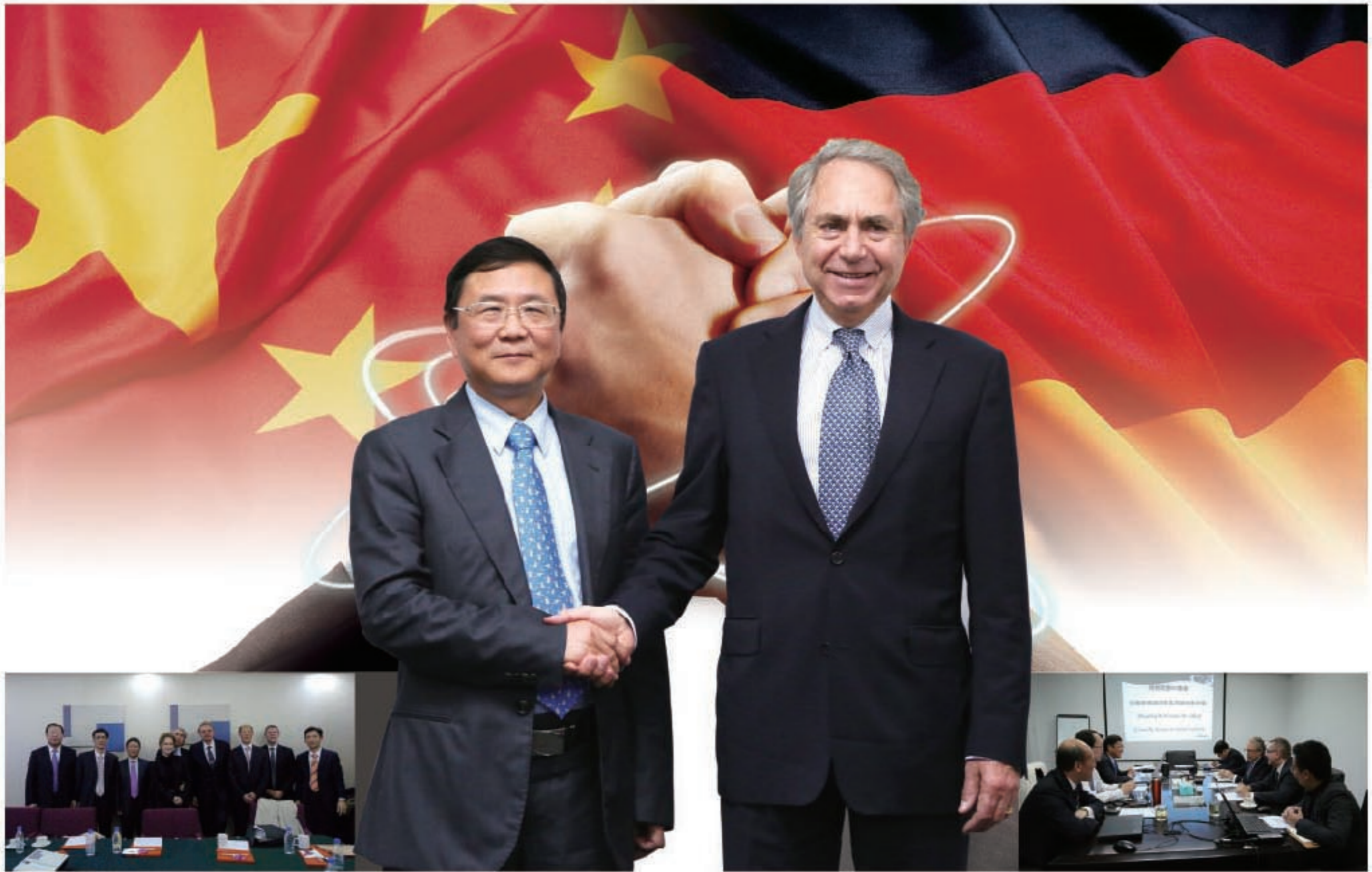
Shanghai SANME Mining Machinery Corp., Ltd. is a Sino-German JV holding company, total solution expert for green aggregates processing, and integrated service provider for solid waste recycling.

SANME is headquartered in Shanghai with modern manufacturing workshop, research and development center, and group management center. We could not only manufacture complete sets of advanced crushing and screening equipment, but also could provide all ranges of crushing and screening equipment total solutions, including EPCO service for aggregates production line and turn-key service for minerals processing operation.

Based on advanced Sino-German technology, excellent equipment manufacturing capability and mature capability of turn-key solution, SANME has widely applied in green aggregates production, construction waste recycling, and minerals processing, etc. SANME has successfully cooperated with many famous enterprises such as Lafarge, Holcim, Sinoma, CNBM, Huaxin Cement, Conch Cement, and Shougang Steel Resources. SANME is the continuous supplier of large-scale building material and environmental protection enterprises. Our products have been exported to over 100 countries and regions, including Europe, America, Australian, New Zealand, etc.

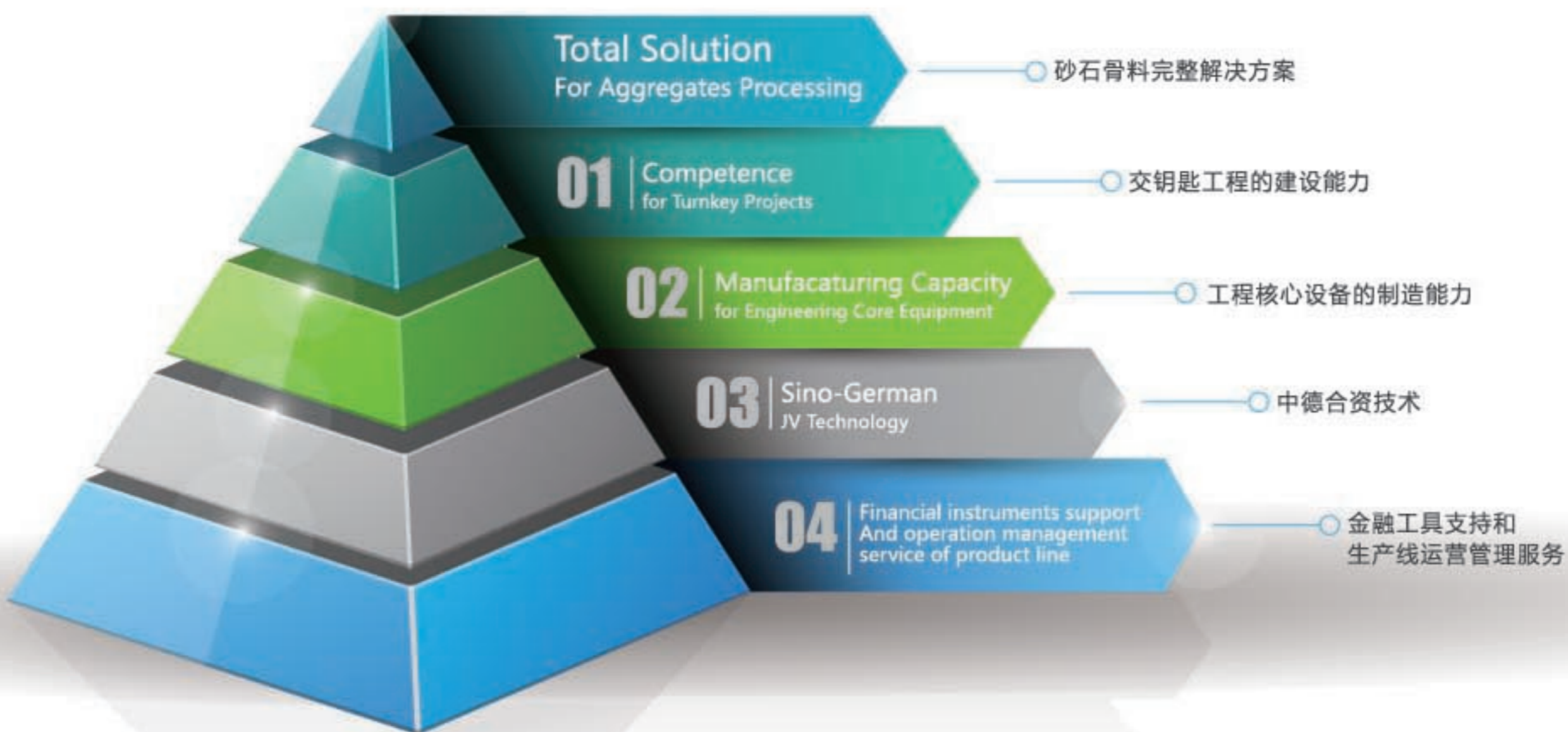
Our aim is to provide reliable products and services for global customers and create values for our customers.





杨安民 上海山美环保装备股份有限公司董事长  
Mr. Anmin Yang SANME Board Chairman

格林茨 德国SK集团董事长  
Dr. Hans-Caspar Glinz SK Group Board Chairman



# 企业资质和荣誉

Enterprise's Qualifications and Honours

- ▶ 荣获国家科学技术进步奖二等奖——“建筑固体废物资源化共性关键技术及产业化应用”项目。
- ▶ 承担中、日国际合作项目——“基于海绵城市建设的多路径资源再生混凝土技术与应用”项目。
- ▶ 荣获教育部科学技术进步奖二等奖——“建筑垃圾资源化技术创新与规模化应用”项目。
- ▶ 荣获北京市科技进步二等奖——“高混杂建筑废弃物全资源化利用关键技术及产业化应用”项目。
- ▶ 荣获国家知识产权局中国专利优秀奖——“一种新型水洗浮选机”专利。
- ▶ 入选自然资源部《矿产资源节约和综合利用先进适用技术目录》。
- ▶ 荣获建筑材料科学技术奖科技进步类一等奖——“建筑固体废物资源化利用基础研究及产业化应用”项目。
- ▶ 董事长杨安民获聘中国砂石协会专家委员会委员。
- ▶ 董事长杨安民获聘中国城市环境卫生协会建筑垃圾管理与资源化工作委员会专家委员会委员。
- ▶ 荣获中国水泥行业百强供应商。
- ▶ 荣获全国建筑固废资源化最佳实用技术（BAT）。
- ▶ 参编多项国家标准或行业标准，比如《建设用卵石、碎石》、《建筑用砂》、《砂石骨料生产成套装备技术要求》、《机制砂石骨料工厂设计规范》、《高性能混凝土用骨料》、《砂石行业绿色工厂评价导则》、《固定式建筑垃圾处置技术规程》、《建筑固废再生砂粉》、《建筑固体废物资源化临时处置设施技术规程》、《建筑垃圾污染控制技术规程》等，引领行业规范与标准。
- ▶ 等等.....



荣誉证书(Honours and Certificates)

# 企业资质和荣誉

## Enterprise's Qualifications and Honours

- ▶ Awarded Second Prize of National Science and Technology Progress Award - "General Key Technologies and Industrialization Application of Construction Solid Waste Recycling" Project.
- ▶ Undertake Sino-Japanese Cooperation Project - "Development of Multipath Use Technologies of Concrete Containing Recycled Materials for Construction of 'Sponge City'".
- ▶ Awarded Second Prize for Science and Technology Progress Award of the Ministry of Education - "Technological Innovation and Large-scale Application Of Construction Waste Recycling" Project.
- ▶ Awarded the Second Prize of Beijing Science and Technology Progress Award-"Key Technologies and Industrial Application of Highly Mixed Construction Waste Resources Utilization" Project.
- ▶ Awarded the China Patent Excellence Award - "A New Type of Washing Flotation Separator" Patent.
- ▶ Nominated and Selected into the National "Catalogue of Advanced and Applicable Technologies"
- ▶ Awarded First Prize of Science and Technology Progress Award of Building Materials - "Basic Research and Industrial Application of Construction Solid Waste Recycling" Project.
- ▶ Chairman Yang Anmin was appointed as the expert member of the Committee of China Aggregates Association.
- ▶ Chairman Yang Anmin was appointed as the expert member of the Committee of The National Committee of Construction Waste Management and Recycling of China Association Of Urban Environmental Sanitation.
- ▶ Awarded Top 100 Suppliers in China Cement Industry.
- ▶ Awarded National Best Available Technology(BAT) for Construction Waste Recycling.
- ▶ Participate in drafting National Standards or Industrial Standards.
- ▶ Etc...



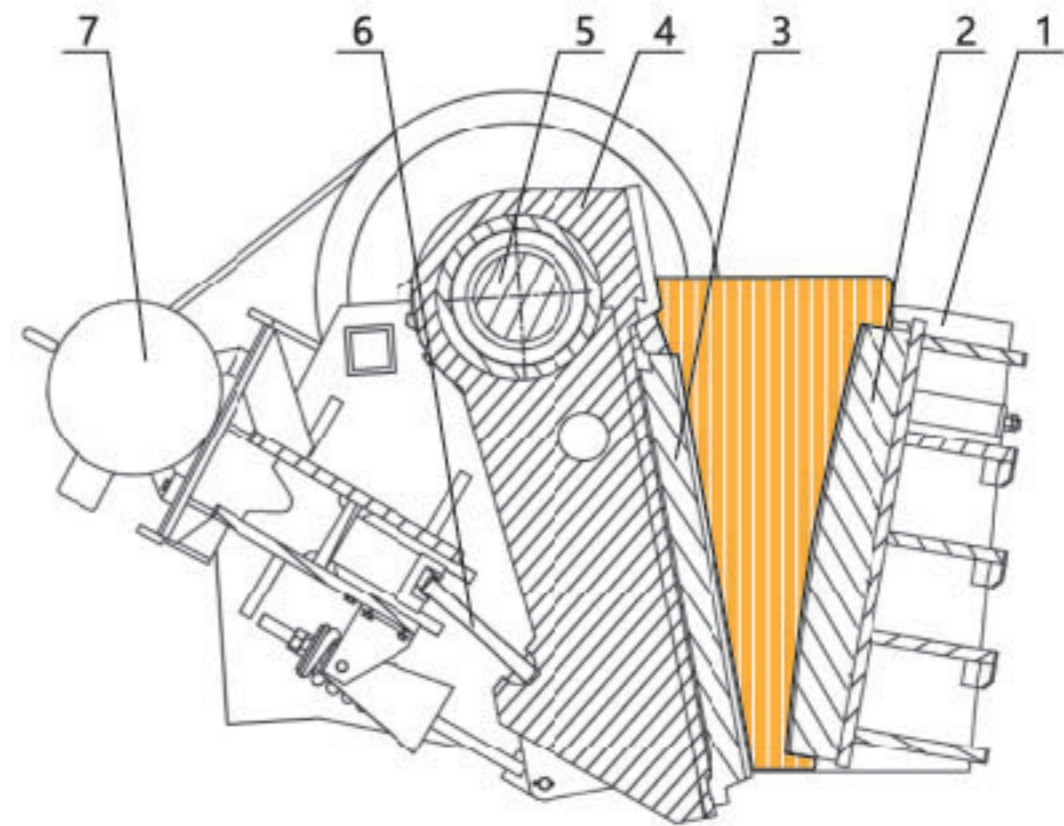
CE认证(CE Certificates)



知识产权证书 (Intellectual Property Certificates)

# JC系列颚式破碎机

JC Series Jaw Crusher



- 1、机架 Frame
- 2、固定颚板 Fixed Jaw Plate
- 3、动颚板 Movable Jaw Plate
- 4、动颚 Movable Jaw
- 5、偏心轴 Eccentric Shaft
- 6、肘板 Toggle
- 7、电机 Motor

JC系列颚式破碎机是采用专业的破碎技术和研究成果，在几十年的颚式破碎机设计制造经验的基础上，采用有限元分析方法成功开发的新一代产品。

与传统的颚式破碎机相比，JC欧星系列颚式破碎机在设计和制造方面对细节更为重视，采用高强度材料及先进的制造工艺，具有结构强度更高、设备可靠性更高、破碎比更大、产量更高、综合加工成本更低等优势。

JC series Jaw Crusher has adopted professional crushing technology and research achievement; it is the new crushers which are successfully developed by using finite element analysis method based on years' experience on jaw crusher design and manufacture.

Compared with traditional jaw crusher, JC series Jaw Crusher pay more attention to the details. Adopt high-strength material, first-class manufacturing process, and the JC series Jaw Crusher provide the advantages of excellent-strength structure, reliable equipments, higher crushing ratio, bigger capacity and lower cost.

## JC系列颚式破碎机主要特点 *Features and Benefits*

### 1、坚固的结构 *Sturdy Structure*

机架分为焊接式和组装式两种：中小型规格一般采用焊接式，大型规格一般采用组装式。

Two kinds of Frames: Welded and Packaged. Usually, Small and medium sized model adopts welded, large model adopts packaged.

焊接式采用大弧度过渡圆角、低应力区焊接方式，大大降低了应力集中，保证了机架在各方向强度的均等，具有耐冲击性、受力均匀、低故障率等特点。

Welded frame adopts wide transitional round edge, significantly reducing the stress concentration, ensure the frame under equal strength. It owns the features of good impact resistance and low failure rate, bears same pressure, etc.

组装式采用先进的模块化、无焊接框架结构设计，强度和可靠性高，同时整机组装式设计，运输、安装更加方便，特别适用于地下矿井、高海拔矿山等狭小、运输困难场所安装。

Packaged frame uses advanced modularization, no-welding frame structure design, high endurance strength and reliability. The whole set assembling design is convenient for the transporting and installation, especially suitable for installation of underground mine shaft, high altitude mine, as well as other narrow and difficult transporting place.

### 2、优越的腔型设计,进料粒度大 *The optimized cavity design enables excellent material feeding capacity*

采用对称“V”形腔设计，肘板大倾角、大冲程，比传统PE系列颚破进料粒度更大、产量更高、粒度更加均匀，颚板磨损降低。

The cavity is engineered in symmetrical "V" type, providing a good steep angle of the toggle plate and a long stroke, which enables a large size of feeding material, high output and better gradation also reduces wear on the jaw plate comparing with traditional PE Series Jaw Crushers.

### 3、重型动颚总成经久耐用 *Long Working Life of the Heavy-duty Movable Jaw Assembly*

重型动颚总成采用锻造的重型偏心轴、高质量重载滚动轴承，有限元软件优化的动颚体保证了动颚总成耐冲击性和稳定性高；迷宫式密封、集中润滑系统保证了轴承油脂不被污染、润滑更加便捷，使其运行时间更长。

Heavy-duty Movable Jaw Assembly adopts heavy-duty eccentric shaft, high quality heavy-load rolling bearings and finite element software optimized movable jaw plate ensuring impact resistance and high stability of moving jaw assembly; labyrinth seal and centralized lubrication system guarantee the bearing lubrication oil is not contaminated and lubrication becomes more convenient. Therefore the assembly can have a long working time and stability.

### 4、动颚护板设计 *Shield Design for the Movable Jaw*

动颚上方安装了重型护板，可避免物料冲击，有效保护动颚体及其内部轴承不受损坏。

Heavy shield is installed above the movable jaw to avoid the material impact. It can effectively protect the movable jaw and its internal bearing from damaging.

### 5、整体轴承座 *Overall Bearing Support*

整体铸钢轴承座结构保证与机架完全配合，使轴承运行更加平稳，避免了组合式轴承座在紧固过程中对轴承造成不必要的径向载荷。

Overall cast steel bearing housing fully compatible with the frame, avoiding the combined bearing housing has a unnecessary radical load on the bearing during the fastening process, making the bearing to run more smoothly.

### 6、方便快捷的排矿口调整 *Convenient Discharge Setting Adjustment*

JC 系列颚式破碎机采用机械或液压方式调整排料口，其双楔块调整方式相对于垫片调整方式操作更加简单、安全、快捷，节省了停机时间。

JC series Jaw Crusher adopts mechanical or hydraulic adjustment for the discharge range, compared with shim adjustment, double wedge adjustment operations is simpler, secure, fast, and saves more downtime.

### 7、一体化电机安装 *Integrated Motor Installation*

电机座与破碎机机架一体式安装方式，不仅节省了颚式破碎机的安装空间，而且由于机架、电机座、电机的同步运动、可调的电机座实现了三角带张力的调节，从而使三角带使用寿命更长。

Integrated installation of motor seat and frame can not only save installation space, but also can prolong the service life of v-belt, due to the synchronous movement of frame, motor seat, and motor, adjustable motor seat can adjust v-belt tension.

### 8、减振安装设计 *Vibration Absorption Design*

破碎机采用专用的橡胶减震装置固定，有效吸收了设备振动峰值，同时允许破碎机垂直和纵向方向的位移，从而降低了对基础的冲击。

Crusher fixed by rubber vibration absorption device, which can effectively absorb vibration peak, while allow the crusher to move vertically and longitudinally, thus reducing the impact on the foundation.

## 技术参数 *Technical Data*

型号 Model	有效进料口尺寸 Size of Feed Opening(mm)	排料口调整范围 Discharge Range(mm)	处理能力 Capacity(t/h)	电机功率 Motor Power(kw)	重量(带护罩) Weight (with guard)(kg)
JC231	510×800	40-150	50-250	55-75	9052
JC340	600×1020	60-175	85-300	75-90	16460
JC3540	650×1060	110-225	120-400	75-90	16872
JC440	760×1020	70-200	120-520	90-110	27810
JC443	850×1100	80-215	170-625	110-160	34722
JC549	950×1250	110-250	260-810	132-160	50308
JC5149	1100×1250	160-300	350-900	132-160	50550
JC555	1070×1400	125-250	360-920	160-200	58907
JC5155	1170×1400	225-350	600-1100	160-200	60162
JC649	1100×1250	125-280	385-920	160-200	55954
JC659	1200×1500	150-350	400-1200	200-250	90089
JC663	1200×1600	150-350	500-1450	220-250	90789
JC771	1500×1800	150-350	600-1800	315-400	124413
JC983	1800×2100	175-350	700-2100	355-450	180000

注： 处理能力为加工中硬物料、破碎物料松散密度为 1.6 t/m<sup>3</sup> 时的数据。

**Note:** The processing capacity is described on the basis of data about processing mid-hard materials and the bulk density of crushed materials is 1.6 t/m<sup>3</sup>.

# SMS系列多缸液压圆锥破碎机

SMS Series Cone Crusher

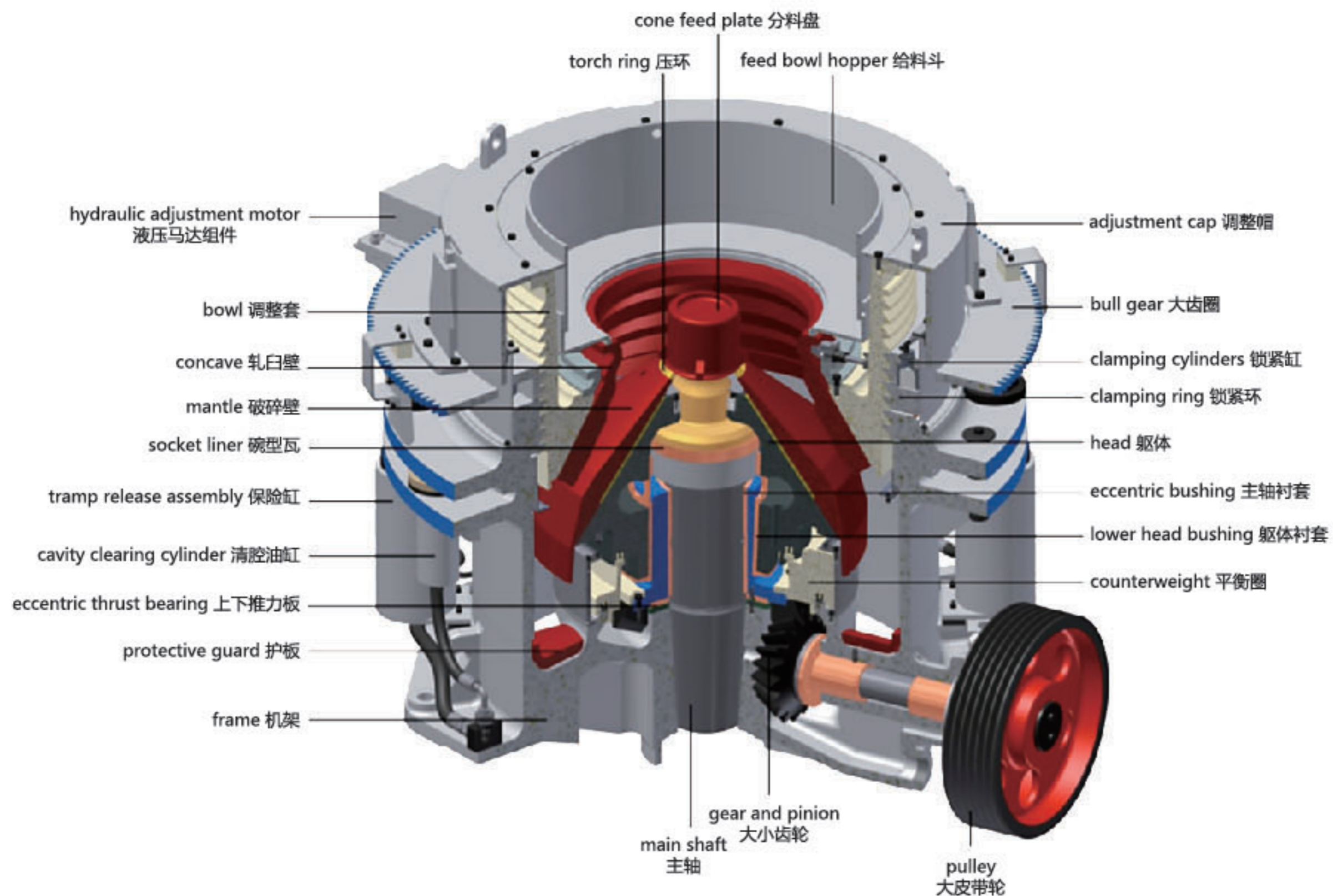


SMS系列液压圆锥破碎机采用固定式主轴设计，将主轴转速、冲程和破碎腔型进行了完美的结合，这些改变大大提高了生产能力和产品质量，提高了破碎的细碎能力，在破碎过程中因为能够形成层压破碎，使骨料的形状得到很大的改善。

SMS系列液压圆锥破碎可以大大提高生产率、降低运营成本，是您矿物加工或者骨料生产的满意选择。

SMS series cone crusher adopt fixed main shaft design, and provide a unique combination of main shaft speed, throw and cavity, these changes have improved the capacity and product quality, and also have increased the fine crushing capability, thanks to the interparticle crushing action in the process of crushing, and the shape of aggregate has been improved greatly.

SMS series cone crusher enable you to increase the productivity greatly, and decrease the operation cost, they are the satisfactory choices for mining processing or aggregate production.





# SMS系列多缸液压圆锥破碎机

## SMS Series Cone Crusher

### 技术参数 Technical Data

型号 Model	最大给料尺寸 Max Feeding Size(mm)	排料口范围 Discharge Range(mm)	电机功率 Motor Power (kw)	生产能力 (吨/小时)——开路循环, 闭边排料口 Capacity(t/h)——open circuit, closed discharge(mm)											重量 Weight(t) (≤)	
				6	9	13	16	19	22	26	32	38	45	51		63
SMS1000EC	150	22~32	90						95	105	110					9.4
SMS1000C	107	13~26				65	78	85	95	105						
SMS1000M	76	10~22			53	65	78	85	95							
SMS1000F	45	9~19			53	65	78	85								
SMS1000EF	20	6~16		40	53	65	78									
SMS2000C	185	22~38	160						170	185	200	225				17.5
SMS2000M	135	16~32					118	140	170	185	200					
SMS2000F	95	13~26				95	118	140	170	185						
SMS2000DC	76	10~22	160		78	95	115	125	155						17.5	
SMS2000DM	54	9~19			78	95	115	125								
SMS2000DF	25	6~16		60	78	95	115									
SMS3000EC	235	26~51		160-220							245	270	320	375		400
SMS3000C	211	22~45							230	245	270	320	375			
SMS3000M	150	16~38					155	175	230	245	270	320				
SMS3000F	107	13~32				110	155	175	230	245	270					
SMS3000DC	78	10~22	160-220		105	130	160	165	210						25	
SMS3000DM	53	9~19			105	130	160	165								
SMS3000DF	25	6~16		90	105	130	160									
SMS4000EC	299	32~51		200-315								365	420	480		520
SMS4000C	235	26~51								315	365	420	480	520		
SMS4000M	199	22~45							266	315	365	420	480			
SMS4000F	135	16~38					198	210	266	315	365	420				
SMS4000DC	95	13~26	200-315			180	205	235	265	290					33.5	
SMS4000DM	76	10~22			145	180	205	235	265							
SMS4000DF	45	6~19		120	145	180	205	235								
SMS5000EC	335	32~51		315-400								460	560	615		715
SMS5000C	275	26~51								390	460	560	615	715		
SMS5000M	210	22~45							340	390	460	560	615			
SMS5000F	150	16~38					285	305	340	390	460	560				
SMS5000DC	102	13~26	315-400			230	280	340	375	410					49	
SMS5000DM	76	10~22			175	230	280	340	375							
SMS5000DF	45	6~19		145	175	230	280	340								
SMS8000EC	355	32~63		600								720	800	900		1028
SMS8000C	305	32~51										720	800	900	1028	
SMS8000M	260	26~45								620	720	800	900			
SMS8000F	215	22~38						480	520	620	720	800				
SMS8000DC	155	13~26	600			380	455	515	535	585					65	
SMS8000DM	92	10~22			310	380	455	515	535							
SMS8000DF	45	6~19		240	310	380	455	515								

注： 生产能力是在破碎中硬物料且堆积密度为 1.6t/m<sup>3</sup> 时开路循环生产中总吨数。生产能力与破碎物料的物理性能、给料方式、进料粒度及其组成等工况有关。

**Note:** The capacity is total tons per hour passing through crusher at open circuit when crushing mid-hard material and bulk density with 1.6t/m<sup>3</sup>. Capacities are relative to physical character and type of feeding, feeding size and composition and so on.

Attention to the following factors will enhance crusher capacity and performance.

1. Proper selection of crushing chamber for material to be crushed
2. A feed grading containing proper distribution of the particle size
3. Controlled feed rate
4. Proper feed distribution 360° around crushing chamber
5. Discharge conveyor sized to carry maximum crusher capacity
6. Properly sized scalping and closed circuit screens
7. Automation controls
8. Adequate crusher discharge area

注意以下因素可提高破碎机的生产能力和性能。

1. 针对所破碎的物料正确选择破碎腔
2. 给料粒度配比适当
3. 控制给料量
4. 在破碎腔 360 度范围内给料分布均匀
5. 排料输送机的规格与破碎机的最大处理能力相适应
6. 适当的选择预先筛分和闭路筛分的筛子规格
7. 自动控制装置
8. 破碎机排料区通畅

# SMH系列多缸液压圆锥破碎机

SMH Series Cone Crusher



SMH系列液压圆锥破碎机是山美工程师采用稳定、专业的圆锥破碎机的技术开发出的新型圆锥破碎机，具有高可靠性，运行成本低等优点，广泛应用于矿山和砂石骨料行业，适合破碎坚硬、中等硬度以上的各种矿石和岩石，可以应用于物料的中碎、细碎及制砂。

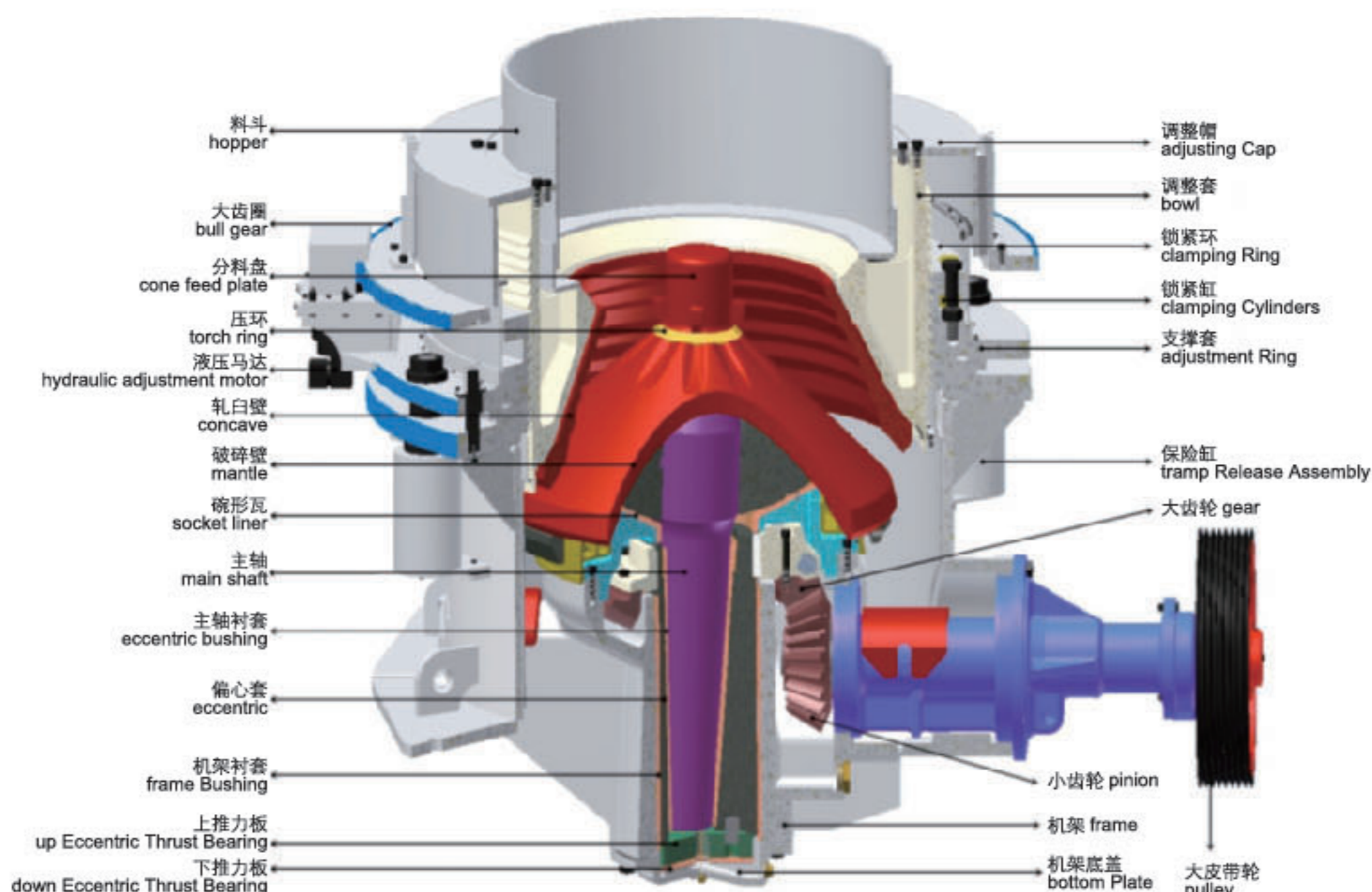
SMH series cone crusher is a new type of cone crusher, which is developed by Sanme engineers utilizing the professional and proven cone crusher technology, and provides the features of high reliability and low operation costs, it is widely applied in the field of mining and aggregate processing industries, and is suitable for crushing hard and mid-hard ore and rock, meanwhile, it can be used for secondary crushing, tertiary crushing and sand making.

## 特点及优势

- 结构合理，破碎原理及技术参数先进，运转可靠，运行成本低。
- 具有大破碎力，生产效率高，产量高。
- 液压系统方便可靠，能提供安全有效的过载保护。
- 多种破碎腔，适应大范围产品粒度要求。
- 采用液压调整、液压清腔设置，自动化程度大为提高。

## Features and Benefits

- Reasonable structure, advanced crushing principle and technical data, reliable work and low cost.
- Strong crushing ability, high efficiency productivity, high capacity.
- Hydraulic system is reliable, provide safe and effective overload protection.
- Types of crushing cavity are for wide range of product size requirement.
- Use hydraulic adjustment and hydraulic clean cavity setting, much increase automation.



# SMH系列多缸液压圆锥破碎机

SMH Series Cone Crusher

## 标准型液压圆锥破碎机技术参数 Technical Data of Standard Head Cone Crushers

型号 Model	最大给料尺寸 Max Feeding Size(mm)	排料口范围 Discharge Range(mm)	电机功率 Motor Power (kw)	生产能力 (吨/小时)——开路循环, 闭边排料口 Capacity(t/h)——open circuit, closed discharge(mm)													
				9	13	16	19	22	26	32	38	51	63	76	89		
SMH120C	160	22-32	75-90					120	130	150							
SMH120M	130	13-26			70	85	100	120	130								
SMH120F	102	9-22		58	70	85	95	110									
SMH180C	180	22-32	132-160					185	195	215							
SMH180M	140	13-32			90	115	135	160	180	200							
SMH180F	60	9-22		60	80	100	120	140									
SMH250EC	260	26-51	160-200						250	290	340	395					
SMH250C	220	19-51					182	209	236	279	334	365					
SMH250M	150	16-38				140	165	185	220	275	330						
SMH250F	115	13-31			115	133	156	176	192	226							
SMH350EC	315	38-63	250-280								555	649	766				
SMH350C	230	26~63							366	430	468	629	657				
SMH350M	205	22~52						296	343	387	427	479					
SMH350F	180	16~38				212	239	270	320	355	374						
SMH550EC	450	38~89	355-400								920	1179	1380	1475	1566		
SMH550C	350	31~76								800	850	1100	1288	1398			
SMH550M	320	25~63							612	735	815	980	1137				
SMH550F	268	19~52					392	453	535	620	725	867					

## 短头型液压圆锥破碎机技术参数 Technical Data of Short Head Cone Crushers

型号 Model	最大给料尺寸 Max Feeding Size(mm)	排料口范围 Discharge Range(mm)	电机功率 Motor Power (kw)	生产能力 (吨/小时)——开路循环, 闭边排料口 Capacity(t/h)——open circuit, closed discharge(mm)													
				3	5	6	9	13	16	19	22	26	32	38			
SMH120DC	70	6~19	75-90			62	82	102	123	138							
SMH120DM	51	5~16				45	58	78	99	116							
SMH120DF	35	3~13		30	45	58	78	95									
SMH180DC	70	6~19	132-160			72	90	108	131	158							
SMH180DM	51	5~16				68	76	95	118	145							
SMH180DF	35	3~13				70	82	95	120								
SMH250DC	89	9~22	160-200				126	168	196	215	252						
SMH250DM	70	6~16					88	117	156	172							
SMH250DF	54	5~16				63	86	115	143	169							
SMH350DEC	133	13~25	250-280					262	308	322	358	385					
SMH350DC	133	10~25						208	262	308	322	358	385				
SMH350DM	89	6~19					136	186	233	260	293						
SMH350DF	70	6~13					136	186	233								
SMH550DEC	203	16~25	355-400						516	593	665	696					
SMH550DC	178	13~25							455	498	552	608	643				
SMH550DM	133	10~19						355	416	472	530						
SMH550DF	105	6~16					276	355	385	448							

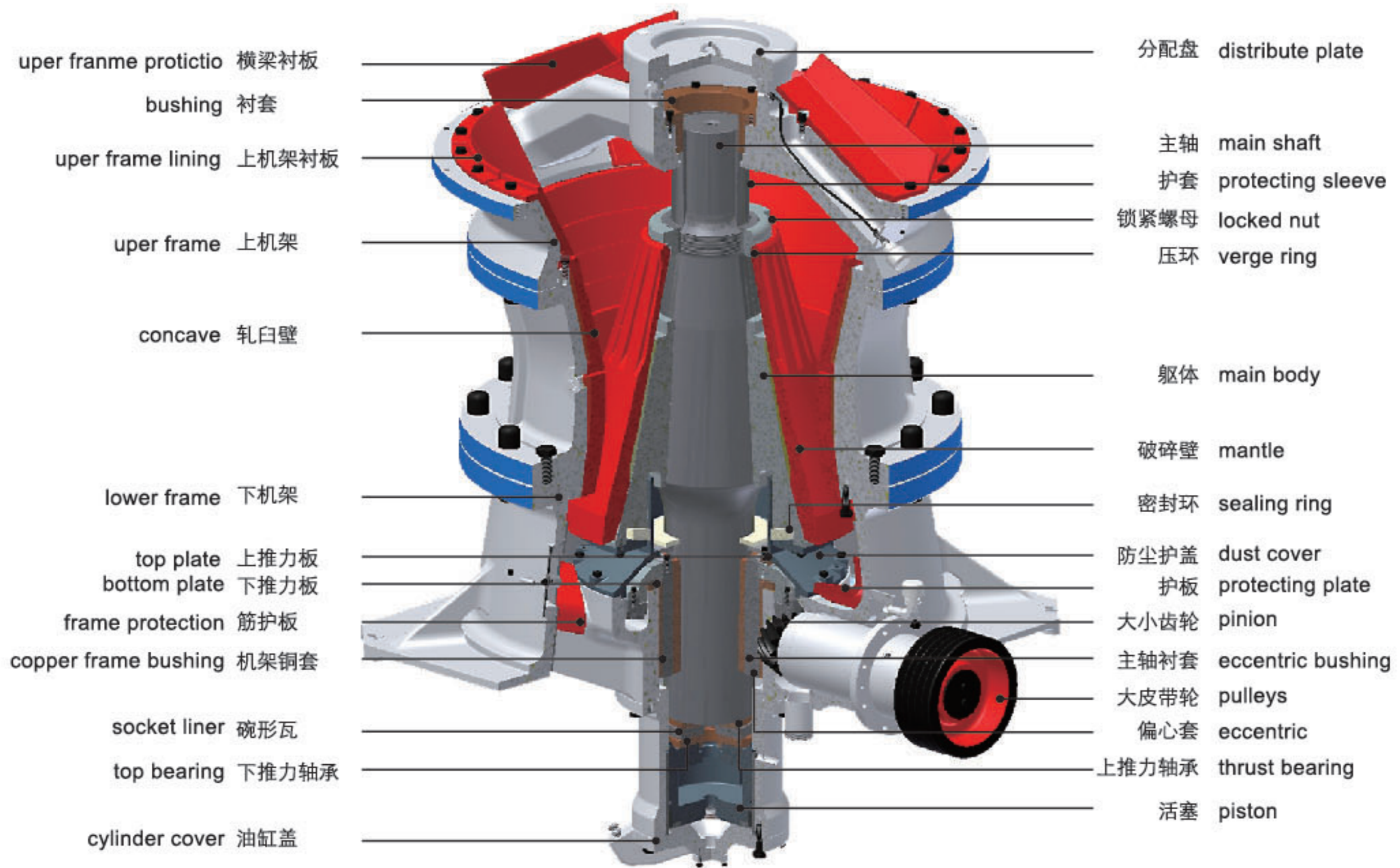
注：上述生产能力是在破碎物料密度为 1.6 t/m<sup>3</sup> 时开路循环生产中总吨数。生产能力与破碎物料的物理性能、给料方式、进料粒度及其组成等工况有关。

**Note:** The capacity is total tons per hour passing through crusher at open circuit when crushing mid-hard material and bulk density with 1.6 t/m<sup>3</sup>. Capacities are relative to physical character and type of feeding, feeding size and composition and so on.

# SMG系列单缸液压圆锥破碎机

SMG Series Secondary Cone Crusher

## 主要部件 Main Components



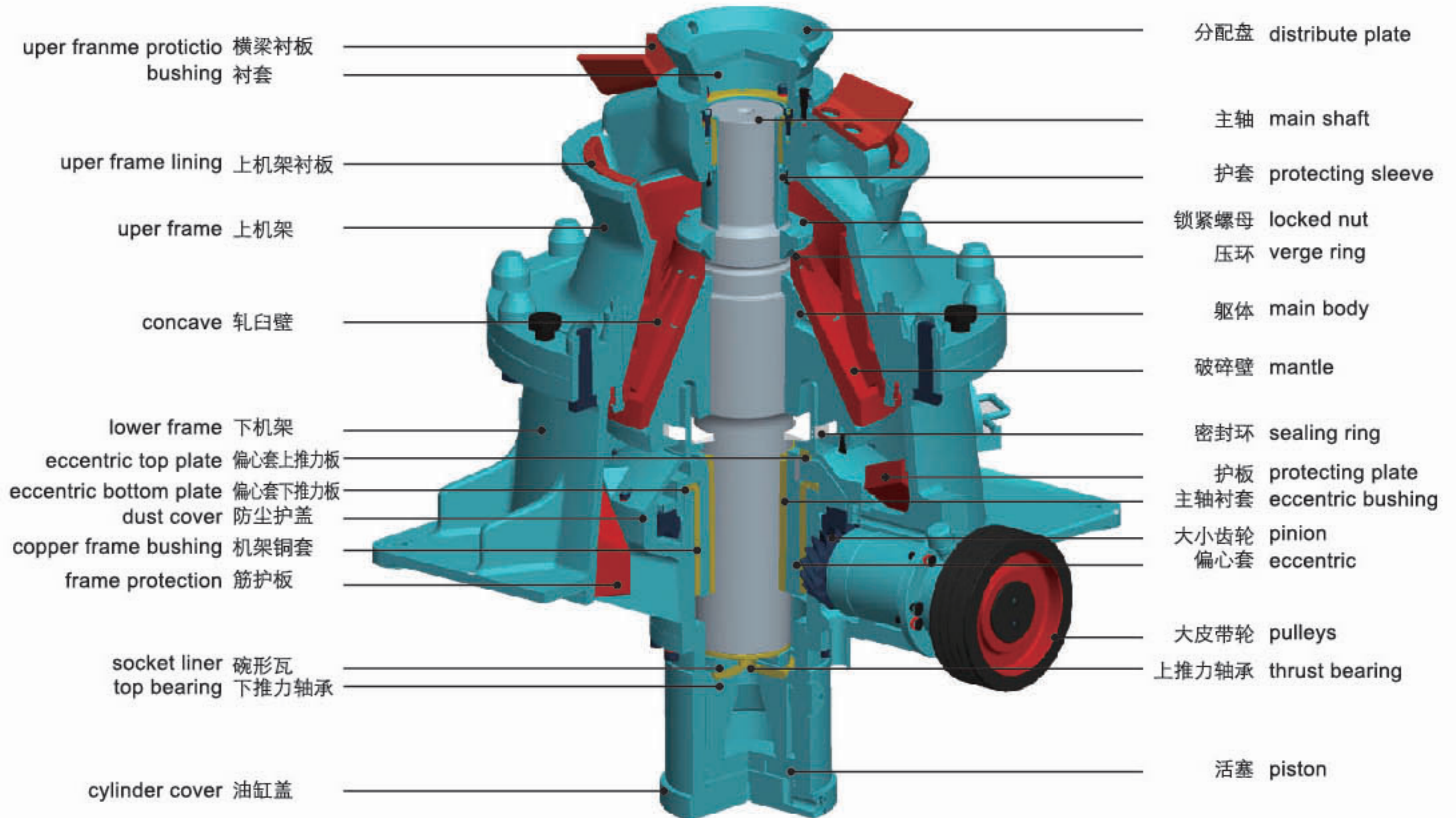
## 技术参数 Technical Data

型号 Model	SMG100S	SMG200S	SMG300S	SMG500S
最大进料尺寸 Max Feeding Size(mm)	240	360	450	500
电机功率 Moter Power	90	160	250	315
生产能力 Capacities(t/h)	70-165	105-330	215-586	290-860
总重量 Total Weight(kg)	7500	12000	22500	36300

# SMG系列单缸液压圆锥破碎机

SMG Series Tertiary Cone Crusher

## 主要部件 Main Components



## 技术参数 Technical Data

型号 Model	SMG100	SMG200	SMG300	SMG500	SMG700	SMG800
最大进料尺寸 Max Feeding Size(mm)	150	200	215	275	300	370
电机功率 Moter Power	90	160	250	315	500	750
生产能力 Capacities(t/h)	25-120	63-215	95-396	175-638	350-1502	241-2185
总重量 Total Weight(kg)	5700	9500	17500	28000	5300	79000

# SMG系列单缸液压圆锥破碎机

## SMG Series Secondary Cone Crusher

### SMG系列液压圆锥破碎机生产能力 SMG Series Cone Crusher Capacity

型号 Model	腔型 Cavity	最大给料尺寸 Max Feeding Size (mm)	紧边排料口及对应的生产能力 CSS (mm) Capacity (t/h)				
			22	25	29	32	35
SMG100S	EC	240	85	88-115	95-135	102-165	110-135
	C	200	70-85	75-110	85-120	95	
SMG200S	EC	360		125	135-175	148-230	155-290
	C	300	105	115-145	125-195	130-250	140-270
SMG300S	EC	450					252-310
	C	400			215-265	225-306	243-320
SMG500S	C	500					

型号 Model	腔型 Cavity	最大给料尺寸 Max Feeding Size (mm)	紧边排料口及对应的生产能力 CSS (mm) Capacity (t/h)					
			4	6	8	10	13	16
SMG100	EC	150				45-65	52-75	58-90
	C	90				40-55	43-78	48-88
	M	50		32-50	36-58	38-65	42-68	50
	F	38	25	27-45	29-50	32-55	35-48	40
SMG200	EC	200					65-117	72-140
	C	145					58-128	66-132
	M	115				53-85	55-113	62-136
	F	70			63	66-102	72-115	76-128
SMG300	EC	215						116-210
	C	175					105-186	112-206
	M	110					124-195	138-264
	F	70				95-165	108-187	121-203
SMG500	EC	275						168-263
	C	215						162-285
	MC	175						152-275
	M	135						185-302
	F	85					175-258	195-309
SMG700	EC	300						
	C	240						
	MC	195						
	M	155						
	F	90					350-379	378-649
SMG800	EC	370						
	C	330						
	MC	300						
	M	230						260-304
	F	120					241-281	261-662

破碎机腔型 Crushers Cavities : EC= Extra Coarse 特粗 ; C= Coarse 粗 ; MC= Medium Coarse 中粗 ; M= Medium 中 ; F= Fine 细

注： 上述生产能力是在破碎物料密度为 1.6 t/m<sup>3</sup> 时开路循环生产中总吨数。生产能力与破碎物料的物理性能、给料方式、进料粒度及其组成等工况有关。

**Note:** The capacity is total tons per hour passing through crusher at open circuit when crushing mid-hard material and bulk density with 1.6 t/m<sup>3</sup>. Capacities are relative to physical character and type of feeding , feeding size and composition and so on.

# SMG系列单缸液压圆锥破碎机

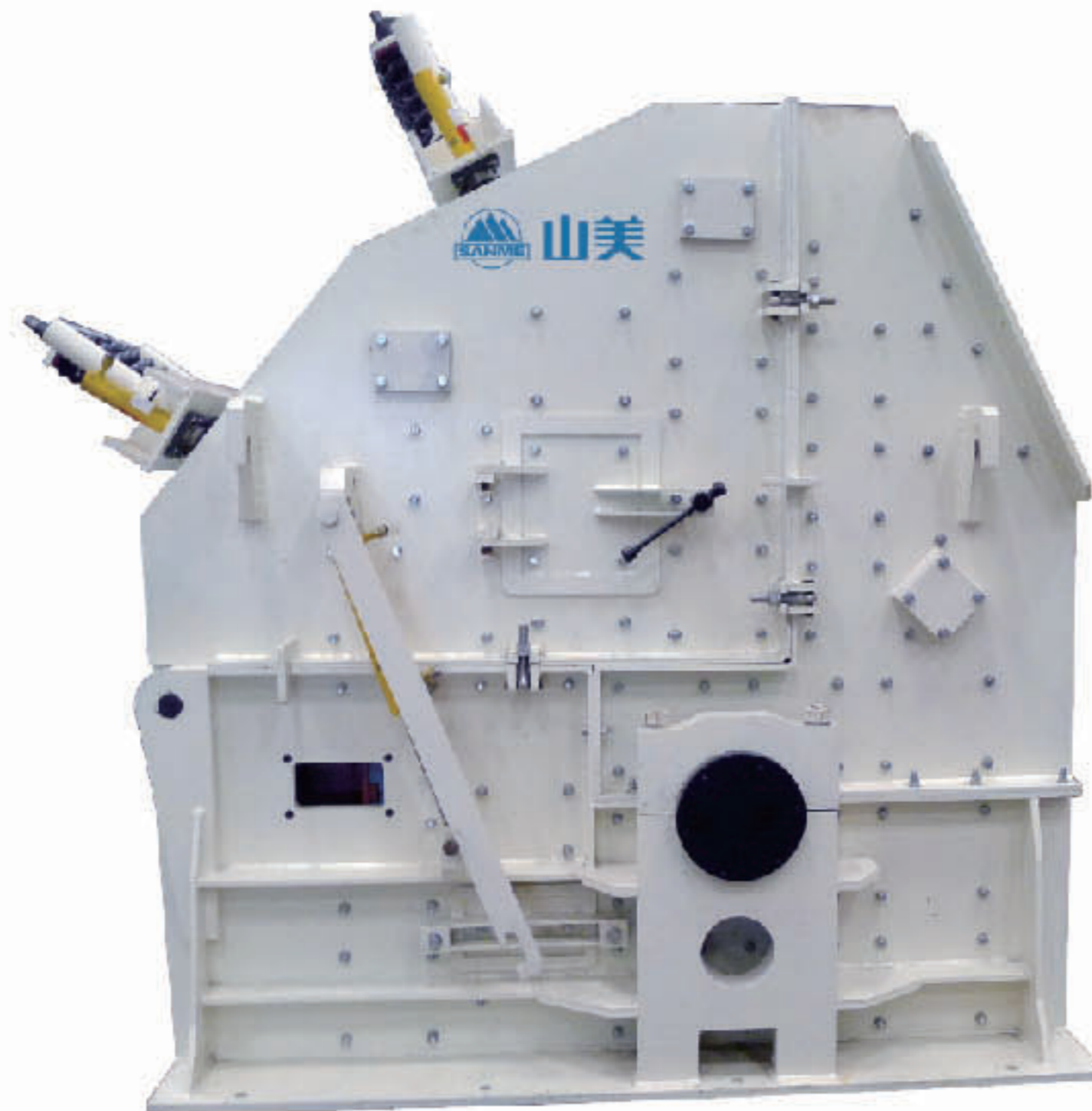
SMG Series Tertiary Cone Crusher

紧边排料口及对应的生产能力 CSS (mm) Capacity (t/h)								
38	41	44	48	51	54	60	64	70
125								
165-310	175-326	180-330	195-300	200-255	210			
150-285	160-295	165-260	180					
265-358	285-450	300-532	323-586	338-516	355-463			
259-425	272-495	285-456	298-410	310-385				
290-380	325-410	350-555	365-685	383-753	396-795	432-860	450-785	495-620

紧边排料口及对应的生产能力 CSS (mm) Capacity (t/h)									
19	22	25	32	38	44	51	57	64	70
65-100	70-110	75-116	78-120						
52-96	55-103	58-108	65-115						
75-152	80-162	85-180	95-206	110-215					
68-136	72-153	80-168	88-182	92-162					
66-148	70-168	75-173	85-160						
81-142	85-126	95							
125-285	136-303	148-325	172-350	182-396	195-368				
120-296	132-325	143-331	165-359	174-343	186-311				
146-293	155-310	164-330	175-295	195-255					
132-224	141-238	150-252	162-223						
186-315	205-396	223-452	248-527	272-589	290-638	310-489			
175-323	195-428	212-486	235-554	253-620	278-530	298-365			
166-361	180-415	198-463	215-520	235-486	265-350				
198-396	214-453	232-495	265-472	290-395					
213-366	235-384	256-416	285-423	325					
	441-581	470-841	537-961	592-1061	651-1165	717-1283	774-1385	841-1502	900-1325
399	425-628	453-884	518-1011	573-1117	629-1225	692-1350	750-1458	8120-1453	870-1280
372-433	398-715	424-829	484-946	537-1048	590-1149	650-1264	700-1365	761-1362	863-1198
394-556	421-779	448-828	510-944	565-1046	621-1148	684-1283	740-1366	803-1241	858-1091
408-697	436-745	464-792	527-904	586-851	640-709				
		386-451	442-1302	488-1438	535-1576	590-1737	639-1875	694-2035	741-2173
	391	415-767	475-1397	523-1544	575-1692	636-1867	685-2012	746-2185	795-2133
334-507	358-845	381-1225	438-1397	482-1544	529-1692	583-1864	630-2012	683-1998	795-1731
280-663	300-944	319-1098	366-1253	403-1386	442-1518	490-1672	528-1806	572-1792	712-1558
280-831	300-887	319-944	366-1078	403-1157	442-1043	490-819	528-617		

# HC系列反击式破碎机(粗碎)

HC Series Impact Crusher



HC系列反击式破碎机既可用于物料的粗碎，主要应用于砂石骨料加工、水泥行业的生料破碎、建筑废物回收等领域。

HC Series Impact Crusher can be used in primary crushing stages. They are mainly applied in the field of aggregates, cement and recycling industry.

## 技术参数 Technical Data

型号 Model	最大进料边长 Max Feeding Edge(mm)	通过量 Throughput(t/h)	电机功率 Motor Power(kw)	外型尺寸(最大尺寸) Dimension(L×W×H)(mm) (the biggest size)	重量(不含电机) Weight(t)
HC128	300	40-70	37-55	3115x1600x2932	11.8
HC139	400	50-80	55-75	3060x2048x2935	14.6
HC239	500	100-180	110-132	3095x2048x2970	14.7
HC255	500	100-290	132-160	3095x2398x2970	17.4
HC359II	700	180-350	200-250	3415x2666x3127	22.2
HC459	750	220-450	250-315	3717x3020x3301	27
HC579	800	250-550	400-500	3552x3547x3231	36.2
HC679	1000	400-700	560-630	4019x4064x3652	53.2
HC779	1300	500-850	630-800	4785x4338x4849	79
HC798	1300	750-1100	800-1250	4825x4838x4849	90.8
HC898	1500	1000-1500	1000-1600	5382x5445x5454	112.8
HC8118	1600	1500-2000	1400-2000	5382x5945x5454	135.5
HC8138	1600	1800-2500	1600-2100	5348x6527x5454	158.8
HC10158	1900	3600-4000	2800-3150	6120x7210x6250	212.3

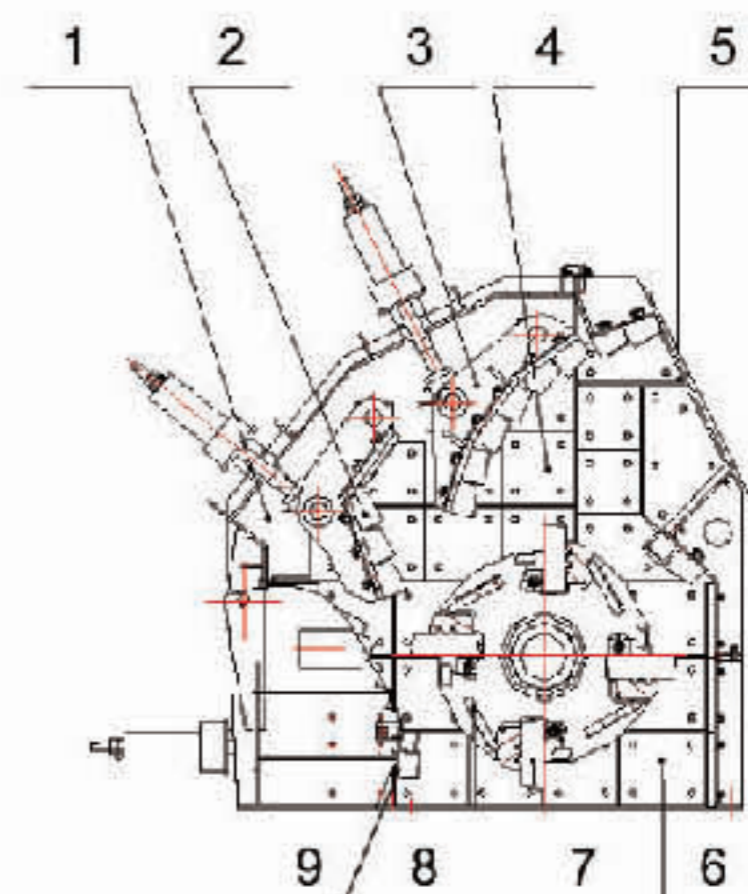
注：研磨腔为选装。生产能力是在破碎中硬及以下物料且堆积密度为 1.6t/m<sup>3</sup> 时开路循环生产中总吨数。生产能力与破碎物料的物理性能、给料方式、进料粒度及其组成等工况有关。

**Note:** Grinding cavity, optional. The capacity is total tons per hour passing through crusher at open circuit when crushing soft and medium hard material and bulk density with 1.6t/m<sup>3</sup>. Capacities are relative to physical character and type of feeding, feeding size and composition and so on.



# HSI系列反击式破碎机(细碎)

HSI Series Impact Crusher



结构图 Structure Drawing

- |             |                           |
|-------------|---------------------------|
| 1. 后箱体      | Rear Frame                |
| 2. 反击衬板     | Impact Riner              |
| 3. 反击架      | Impact Rack               |
| 4. 衬板       | Liner                     |
| 5. 进料口      | Feed Opening              |
| 6. 底座       | Frame                     |
| 7. 板锤       | Blow Bar                  |
| 8. 转子架      | Rotor Support             |
| 9. 研磨腔 (选装) | Grinding Cavity(Optional) |

HSI系列反击式破碎机既可用于物料中碎和细碎, 主要应用于砂石骨料加工、水泥行业的生料破碎、建筑废物回收等领域。

HSI Series Impact Crusher can be used in secondary and tertiary crushing stages. They are mainly applied in the field of aggregates, cement and recycling industry.

## 技术参数 Technical Data

型号 Model	最大进料边长 Max Feeding Edge(mm)	通过量 Throughput(t/h)	电机功率 Motor Power(kw)	外型尺寸(最大尺寸) Dimension(L×W×H)(mm) (the biggest size)	重量(不含电机) Weight(t)
HSI379	350	240-460	250-280	3271x3527x2730	23.23
HSI498	400	275-560	280-355	3755x3522x2833	27.2
HSI5118	450	375-825	500-710	3552x4547x2746	36.2
HSI6118	500	600-900	800-900	3733x5272x3306	56.2
HSI7138	500	875-1490	900-1250	4785x5838x4120	78

注： 研磨腔为选装。

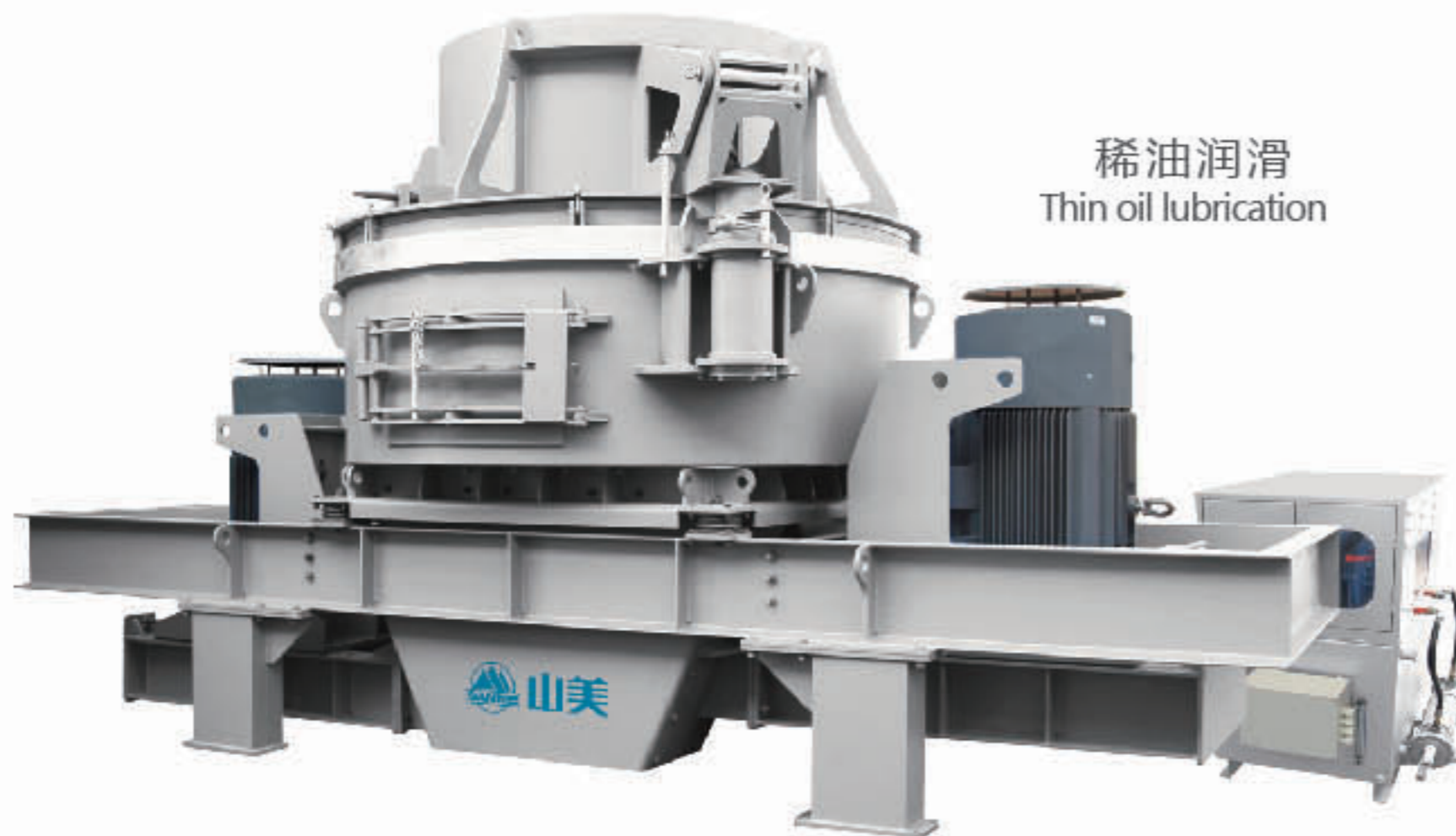
生产能力是在破碎中硬及以下物料且堆积密度为 1.6t/m<sup>3</sup> 时开路循环生产中总吨数。生产能力与破碎物料的物理性能、给料方式、进料粒度及其组成等工况有关。

**Note:** Grinding cavity, optional.

The capacity is total tons per hour passing through crusher at open circuit when crushing soft and medium hard material and bulk density with 1.6t/m<sup>3</sup>. Capacities are relative to physical character and type of feeding, feeding size and composition and so on.

# VC7系列立式冲击破碎机

VC7 Series Vertical Shaft Impact Crusher



稀油润滑  
Thin oil lubrication

VC7系列新型制砂机是山美股份研制并生产的高性能制砂设备。该制砂机采用稀油润滑，与传统润滑相比，优点在于：转速更高、专利密封结构、免维护、制砂率高。

VC7 Series Vertical shaft Impact Crusher, which are high-functioned equipment for making sand and shaping, are developed and produced by SANME. Thin oil lubrication excels traditional lubrication in many aspects: larger rotation rate, patent sealing structure, and high sand production ratio.

## 技术参数 Technical Data

VC7(H)系列立式冲击破碎机 (圆叶轮)			VC7(H) Vertical Shaft Impact Crusher (round impeller)				
型号 Model	叶轮转速 Speed of Rotor (r/min)	最大进料边长 Max Feed Size (mm)	通过量 (全中心入料/中心加瀑布入料) Throughput(t/h) (central feeding/central feeding + waterfalls feeding)		电机功率 Power(kw)	外形尺寸 Dimension(mm)	主机重量(不含电机) Weight(kg) (excluding motor)
VC726L	1881-2499	35	60-102	90-176	110	3600x1969x2200	≤7055
VC726M			70-126	108-211	132		
VC726H			96-150	124-255	160		
VC730L	1630-2166	40	109-153	145-260	180	4600x2150x2482	≤10000
VC730M			135-200	175-340	220		
VC730H			160-243	211-410	264		
VC733L	1455-1934	55	165-248	215-415	264	5500x2563x3178	≤14020
VC733M			192-286	285-532	320		
VC733H			238-350	325-585	400		
VC743L	1132-1504	60	230-346	309-577	400	5850x2740x3031	≤21040
VC743M			246-373	335-630	440		
VC743H			281-405	366-683	500		
VC766L	1132-1504	60	362-545	486-909	2x315	5850x2740x3050	≤21840
VC766M			397-602	540-1016	2x355		
VC788L			460-692	618-1154	2x400		
VC788M	517-597	65	560-848	761-1432	2x500	6000x3040x3456	≤23220
VC799L			644-967	865-1615	2x560		
VC799M	517-597	65	704-1068	960-1804	2x630	6000x3122x3625	≤24980

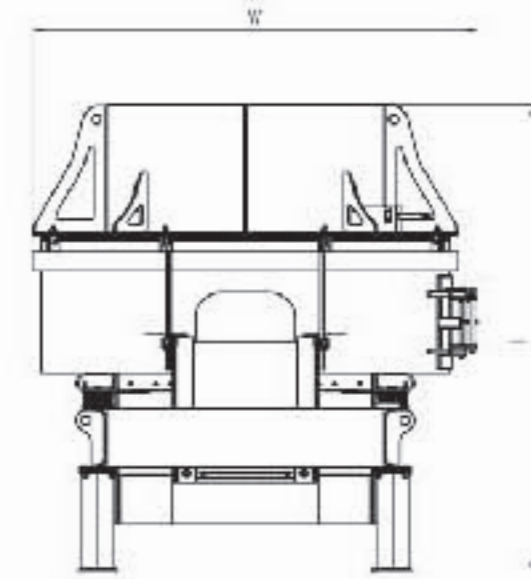
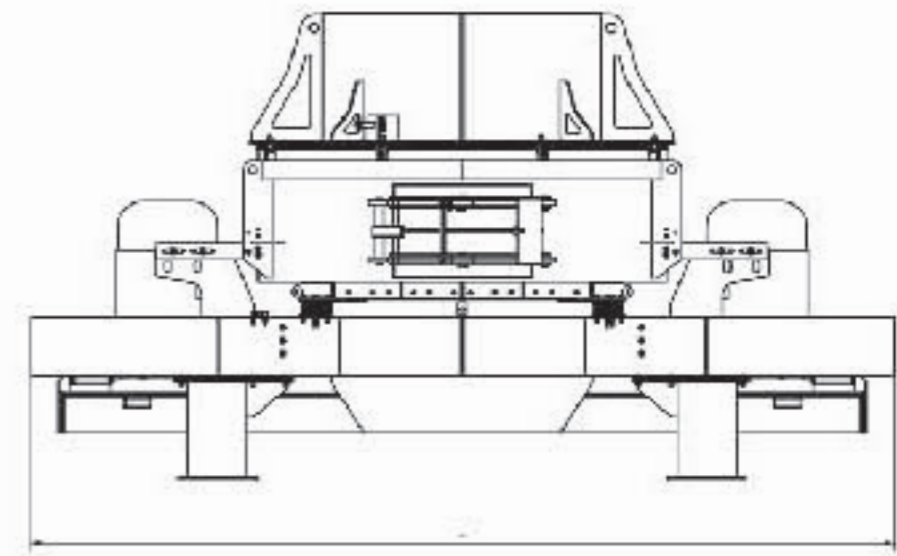
VCU7(H)系列立式冲击破碎机 (开放式叶轮)			VCU7(H) Vertical Shaft Impact Crusher (open impeller)				
型号 Model	叶轮转速 Speed of Rotor (r/min)	最大进料边长 Max Feed Size (mm)	通过量 (全中心入料/中心加瀑布入料) Throughput(t/h) (central feeding/central feeding + waterfalls feeding)		电机功率 Power(kw)	外形尺寸 Dimension(mm)	主机重量(不含电机) Weight(kg) (excluding motor)
VCU726L	1881-2499	55	86-143	108-211	110	3600x1969x2200	≤6955
VCU726M			98-176	124-253	132		
VCU726H			132-210	143-300	160		
VCU730L	1630-2166	65	150-212	162-310	180	4600x2150x2482	≤9910
VCU730M			186-280	203-408	220		
VCU730H			220-340	245-480	264		
VCU733L	1455-1934	80	230-338	255-497	264	5500x2563x3178	≤13820
VCU733M			268-398	296-562	320		
VCU733H			327-485	373-696	400		
VCU743L	1132-1504	100	305-467	362-678	400	5850x2740x3031	≤21240
VCU743M			335-506	379-746	440		
VCU743H			375-540	439-800	500		

注： 1. 上述通过量是在破碎物料密度为 1.6t/m<sup>3</sup> 时开路循环生产中的总吨数。生产能力与破碎物料的物理性能、给料方式、进料粒度及其组成有关。  
2. VC7H 系列为电动液压泵站，VC7 系列为手动液压泵站。  
3. VCU7(H) 为开放式叶轮，用于低磨蚀性物料；VC7(H) 为圆叶轮，用于高磨蚀性物料。

**Note:** 1. Throughput is the total production tons at open circuit when the material bulk density to be crushed is 1.6t/m<sup>3</sup>. Production capacity will be varied by physical characteristics of material, feeding method, feeding size and material composition, etc.  
2. VC7H series are equipped with electric hydraulic pump station while VC7 series are equipped with manual hydraulic pump station.  
3. VCU7(H) with open impeller is suitable for crushing low abrasive materials while VC7(H) with round impeller is suitable for crushing high abrasive materials.

# VSI系列立式冲击破碎机

VSI Series Vertical Shaft Impact Crusher



VSI系列立式冲击破碎机是我公司研制并生产的高性能制砂设备。该机有“石打石”和“石打铁”二种形式。

VSI Series Vertical shaft Impact Crusher, which are high-functioned equipment for making sand and shaping, are developed and produced by SANME. This equipment has two types: rock-on-rock and rock-on-anvil.

## 特点及优势

- ◎ 破碎效率高，具有细碎、粗磨功能。
- ◎ 结构简单，安装、维修方便，运行成本低。
- ◎ 产品粒形优异，呈立方体，针片状含量低。适宜骨料整形、人工制砂及高等级公路骨料生产。

## Features and Benefits

- ◎ High production of crushing, has the function of fine crushing and rough grinding.
- ◎ Simple structure, easy to set up and repair, low cost in operation.
- ◎ Excellent shape of product, mainly the product shape is cubic with small fraction of elongated flaky particle shape, suitable for aggregate shaping, manufactured sand.

## 技术参数 Technical Data

型号 Model	最大入料粒度 Max Feed Size(mm)	叶轮转速 Speed of Rotor(r/min)	通过量 Throughput(t/h)	电机功率 Motor Power(kw)	外型尺寸 Dimensions(L×W×H)(mm)	重量 Weight(kg)
VSI-3000	45(70)	1760-2210	30-60	55-90	3080×1757×2126	≤5555
VSI-4000	55(70)	1550-1940	50-90	110-150	4100×1930×2166	≤7020
VSI-5000	65(80)	1330-1670	80-150	150-220	4300×2215×2427	≤11650
VSI-6000	70(80)	1190-1490	120-250	220-320	5300×2728×2773	≤15100
VSI-7000	70(80)	1050-1310	180-350	264-400	5300×2728×2863	≤17090
VSI-8000	80(150)	1000-1100	250-380	400-440	6000×3000×3420	≤23450
VSI-9000	80(150)	1000-1100	380-600	440-630	6000×3022×3425	≤23980

注：1. 上述通过量是在破碎物料密度为 1.6 t/m<sup>3</sup> 时开路循环生产中总吨数。生产能力与破碎物料的物理性能、给料方式、进料粒度及其组成有关；  
2. 括号内数值适用于低磨蚀性物料等特殊工况条件下，详情请咨询山美工程师；  
3. 液压开盖和自动润滑装置为选装配置。

**Note:** 1. Throughput is total tons per hour passing through crusher at open circuit when crushing mid-hard material and bulk density with 1.6 t/m<sup>3</sup>. Capacities are relative to physical character and type of feeding, feeding size and composition and so on.  
2. The number in the brackets is applicable to some special conditions, such as low abrasive materials. For more details, please refer to SANME engineers.  
3. Hydraulic decap and automatic lubricating device are optional configuration.

# S系列制砂楼

S Series Building-like Sand-maker



山美股份研制的制砂楼具有稳定的技术，性能稳定，安全系数高，绿色环保，目前已在众多项目上应用，能广泛应用在商品混凝土，干混砂浆和建筑垃圾再生骨料领域。

Building-like sand-maker developed by SANME has unique technology so that it is stable in performance, highly safe, and environmental-friendly. It has been applied in many projects and widely applied in the industries such as commercial concrete, dry-mixed mortar and construction waste recycling.

## 特点及优势

- ◎ **物料适应范围广，功能多样**  
可对建筑废弃物、石屑、矿山废石、鹅卵石及各种硬度岩石进行加工处理，入料粒径最大为600mm。
- ◎ **生产能力大，产出质量高**  
砂石同出楼站最大入料量500t/h；纯制砂楼站最大入料量200t/h。
- ◎ **智能控制，安全生产**
- ◎ **维护检修方便**
- ◎ **对原料的含水率及含泥率适应范围广**  
含水率可 $\leq 15\%$ ，含泥率可达 $\leq 10\%$ 。

## Features and Benefits

- ◎ **Wide applications and multi-function**  
*It can process construction waste, stone debris, mine waste, cobble and rocks in various hardness with the maximum feeding size of 600 mm.*
- ◎ **High Production Capacity and High Quality**  
*The maximum input of building-like sand-and-gravel maker is 500t/h. The maximum feeding volume of building-like sand-maker is 200t/h.*
- ◎ **Intellectual control and safe production**
- ◎ **Simple Maintenance**
- ◎ **Wide range of water and mud content adaptability of raw materials**  
*Water and mud content $\leq 10\%$ . (Adding special water and mud removal system)*

# S系列制砂楼

## S Series Building-like Sand-maker

S系列纯制砂楼站主要参数表 Main parameter of S series building-like sand-maker

型号 Model	SSL60	SSL100	SSL150	SSL200	SSL450
进料粒径 Feeding Size (mm)	≤40				
原料水份含量 Water Content of Raw Material	≤3%				
原料泥土含量 Mud Content of Raw Material	≤1%				
原料种类 Type	非风化的各种软、硬岩石, 抗压强度值80-300MPa Nonweathered soft or hard rocks (80-300MPa)				
机制砂生产能力 Capacity (t/h)	40-60	60-100	100-150	150-200	300-450
细度模数 Fineness Modulus	2.3-3.0 可调 Adjustable				
砂中石粉含量 Micro-fines Content in Sand	5-15% 可调 Adjustable				
砂石针片状含量 Content of Needle-like Particles	≤8%				
粉尘控制 Dust Control	大气污染物排放低于GB16279《大气污染综合排放标准》 Emissions of atmospheric pollutants are lower than GB16279 "Air Pollutant Release Standard"				
系统装机功率 System Power (kw)	~317	~600	~1260	~1464	~3630
主楼外观尺寸 Overall Dimension of Main Building (m)	20.2 x 7.7 x 17.8		11 x 17 x 30.2		22 x 34 x 30

S系列砂石同出楼站主要参数表 Main parameter of S series building-like sand-and-gravel maker

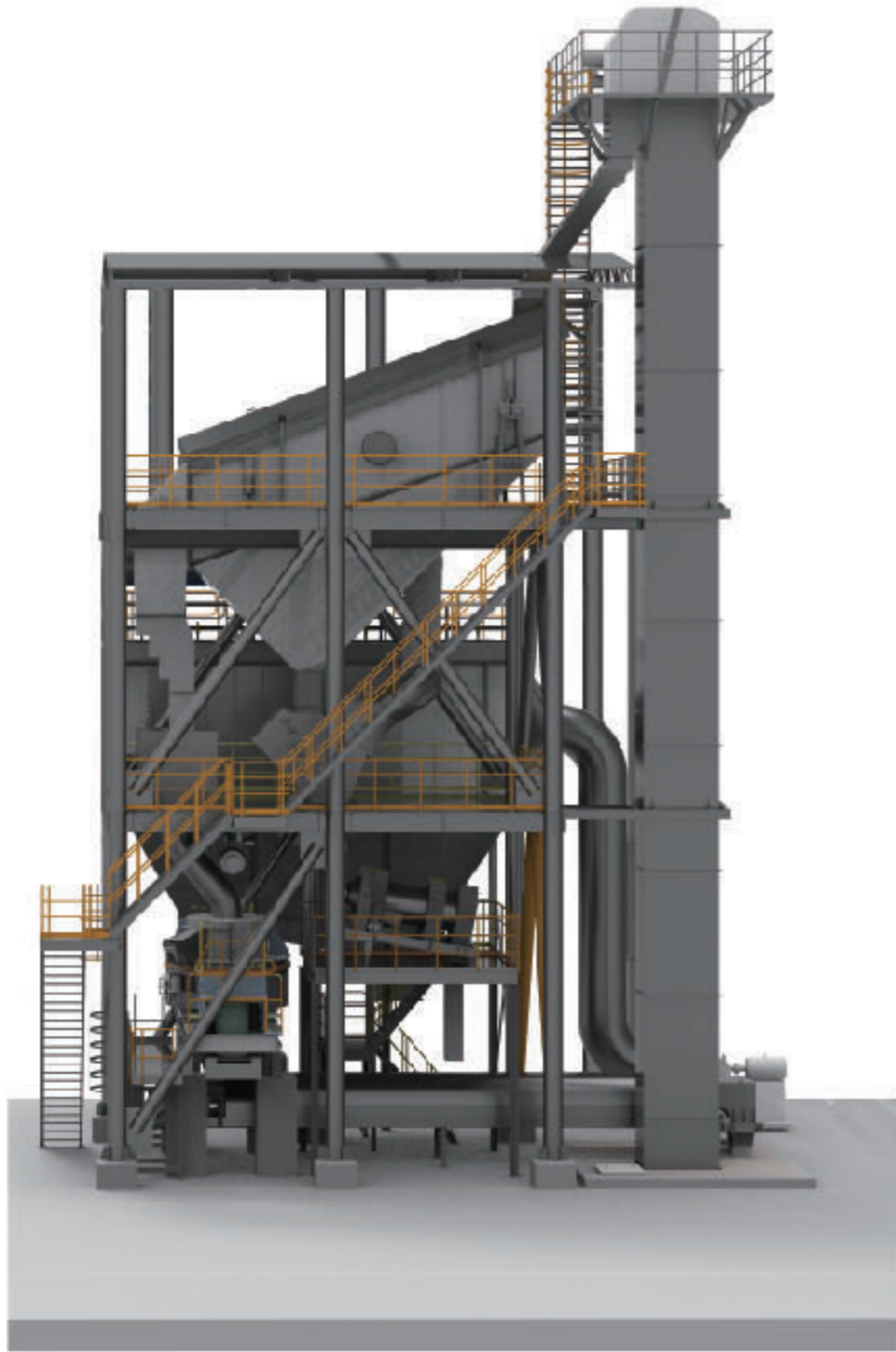
型号 Model	SGL150	SGL250	SGL350	SGL500
进料粒径 Feeding Size (mm)	≤40			
原料水份含量 Water Content of Raw Material	≤3%			
原料泥土含量 Mud Content of Raw Material	≤1%			
原料种类 Type	非风化的各种软、硬岩石, 抗压强度值80-300MPa Nonweathered soft or hard rocks (80-300MPa)			
机制砂生产能力 Sand-making Capacity (t/h)	40-60	60-100	100-150	150-200
碎石生产能力 Gravel Capacity (t/h)	60-90	100-150	150-200	200-300
细度模数 Fineness Modulus	2.3-3.0 可调 Adjustable			
砂中石粉含量 Micro-fines Content in Sand	5-15% 可调 Adjustable			
砂石针片状含量 Content of Needle-like Particles	机制砂 Machine-made sand ≤8%, 碎石 Gravel ≤5%			
粉尘控制 Dust Control	大气污染物排放低于GB16279《大气污染综合排放标准》 Emissions of atmospheric pollutants are lower than GB16279 "Air Pollutant Release Standard"			
系统装机功率 System Power (kw)	~360	~600	~1260	~1464
主楼外观尺寸 Overall Dimension of Main Building (m)	20.2 x 7.7 x 17.8		11 x 17 x 30.2	

注： 1) 以上参数均以石灰石为原料所得，具体生产能力与破碎物料的物理特性、给料方式、进料粒度、成品要求及其组成等工况有关；2) 特殊工况条件，请咨询山美股份工程师；3) 增配专用除水、除泥系统，则对物料含水、含泥范围要求可达≤10%；4) 山美股份保留更改产品与规格的权利，最新详情请咨询山美股份销售机构。

**Note:** 1) The above parameters are all derived from limestone. The specific production capacity is related to the physical characteristics of the crushed material, the feeding method, the size of the feed, the requirements of the finished product and its composition and other working conditions; 2) For special working conditions, please consult SANME engineer; 3) Adding a special water removal and mud removal system, the material moisture and mud range requirements can reach ≤10%; 4) SANME reserves the right to change products and specifications, please consult SANME for the newest details.

# C系列制砂楼

## C Series Building-like Sand-maker



C系列制砂楼系统可生产细度模数为1.6-3.0的机制砂,可用于常态混凝土、碾压混凝土、干混砂浆等领域,适用于河卵石、花岗岩、石灰石等岩石和矿石的破碎。

C系列制砂楼系统具有维修方便、排放达标、占地面积小、投资低、见效快、用人少等特点。

C Series Building-like Sand-maker can produce manufactured sand with a fineness modulus of 1.6-3.0, which can be used in concrete, dry-mixed mortar and other fields, and be suitable for crushing rocks and ore such as river pebbles, granite and limestone.

C Series Building-like Sand-maker is convenient for maintenance, less emission, smaller space, lower investment, quicker return and fewer people.

C系列制砂楼站主要参数表 Main parameter of C series building-like sand-maker

型号 Model	C-50B	C-50S	C-70B	C-70S	C-100B	C-100S	C-150B	C-150S
入料粒度 Feeding size (mm)	5-40	3-10	5-40	3-10	5-40	3-10	5-40	3-10
出料粒度 Discharge size (mm)	0-4.75	0-4.75	0-4.75	0-4.75	0-4.75	0-4.75	0-4.75	0-4.75
产量 Capacity (t/h)	40-60	40-60	70-90	70-90	90-120	90-120	140-160	140-160
制砂机 Sandmaker	VC730H	VC726H	VC733H	VC730H	VC743M	VC733H	VC766M	VC743M
振动级配调整机 Vibration grading adjuster	SMZT310	SMZT310	SMZT390	SMZT390	SMZT470	SMZT470	SMZT510	SMZT510
循环斗提 Cyclic bucket lift	NE150	NE100	NE200	NE150	NE300	NE200	NE400	NE300
循环皮带 Loop belt	B650*11.3m	B500*11.3m	B800*11.3m	B650*11.3m	B1000*11.3m	B800*11.3m	B1200*11.3m	B1000*11.3m
风选机 Winnowing machine	CGP800	CGP800	CGP1000	CGP1000	CGP1500	CGP1500	CGP2000	CGP2000
拌湿机 Wet Mixer	BS-800	BS-800	BS-800	BS-800	BS-800	BS-800	BS-1000	BS-1000
除尘器 Dust collector	SMCC96-6	SMCC96-6	SMCC96-7	SMCC96-7	SMCC128-7	SMCC128-7	SMCC128-8	SMCC128-8
成品出料皮带 Discharge belt	B500*15m	B500*15m	B500*15m	B500*15m	B650*15m	B650*15m	B800*15m	B800*15m

注： 1) 以上参数均以石灰石为原料所得,具体生产能力与破碎物料的物理特性、给料方式、进料粒度、成品要求及其组成等工况有关; 2) 特殊工况条件,请咨询山美股份工程师; 3) 除尘器排放标准为国家标准(20mg/Nm<sup>3</sup>); 4) 细粉输送及仓储根据现场情况另行配套; 5) 山美股份保留更改产品与规格的权力,最新详情请咨询山美股份销售机构。

**Note:** 1) The above parameters are all derived from limestone. The specific production capacity is related to the physical characteristics of the crushed material, the feeding method, the size of the feed, the requirements of the finished product and its composition and other working conditions; 2) For special working conditions, please consult SANME engineer; 3) The dust collector discharge standard is the national standard (20mg/Nm<sup>3</sup>). 4) The fine powder transportation and storage will be matched according to the site conditions. 5) SANME reserves the right to change products and specifications, please consult SANME for the newest details.

# C系列制砂楼

## C Series Building-like Sand-maker

### a 制砂机 Sand maker



- 腔型设计优，石打石、石打铁腔型可以互换，可实现优质人工砂和砂石同出的功能；
- 稀油润滑，采用无接触式密封结构，油封终身制免更换；
- 专利的圆叶轮设计，可使叶轮配件磨损降低30%；
- 具备温度检测装置，对设备的温度变化随时掌握。

### b 振动级配调整机 Vibration grading adjuster



- 振动级配调整机是专门为人工砂研制的新产品，采用整体冷加工结构，无应力集中，寿命更长；
- 采用柔性弹簧，噪音低，分级网采用特殊设计，分级效率高，并具有防堵性能；
- 轴承数量比传统设备增加一倍，可靠性更高。

### c 风选机 Winnowing machine



- 结合多种选粉机原理，设计出独特的散料方式及气流通道；
- 超细粉的分离更快速、更彻底，可满足极限的含粉要求；
- 独特的结构设计使易损件消耗极低。

### d 除尘器 Dust collector

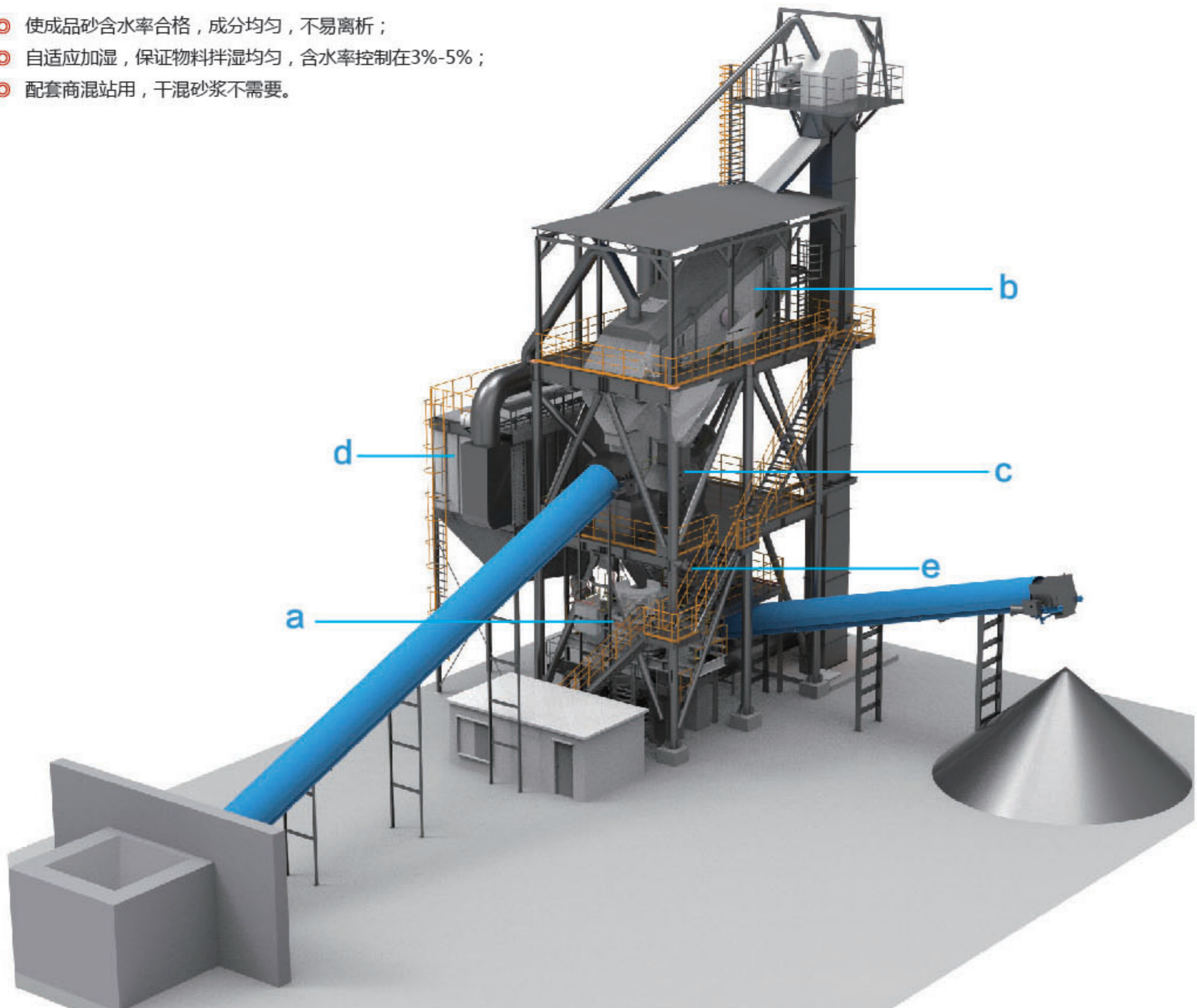


- 利用离线脉冲除尘器技术，能有效控制成品砂中石粉含量，同时使得系统整体处于密封负压环境下运行，保证现场无扬尘，环保指标达到国家标准。

### e 拌湿机 Wet Mixer



- 使成品砂含水率合格，成分均匀，不易离析；
- 自适应加湿，保证物料拌湿均匀，含水率控制在3%-5%；
- 配套商混站用，干混砂浆不需要。



# PP系列轮胎移动颚式破碎站

PP Series Portable Jaw Crushing Plant



## 特点及优势

- 移动底盘设计符合国际标准，拥有符合规范的灯光和制动系统。底盘采用大截面型钢，为重载设计。
- 移动底盘采用U型梁设计，降低了移动站的整体高度，大大降低了破碎物料的装运成本。
- 采用液压支腿（选装），便于现场安装。料仓采用组合设计，大大降低运输高度。

## Features and Benefits

- Mobile chassis conforms to the international standards. It has standard lighting and braking system. The chassis is heavy-duty design with big section steel.
- The girder of mobile chassis is designed to be U style so that the overall height of the mobile crushing plant is reduced. So the loading cost is reduced greatly.
- Adopt hydraulic leg(optional) for lift installation. Hopper adopts unitized design and reduces transport height greatly.

## 技术参数 Technical Data

型号 Model	PP231JC	PP340JC	PP440JC	PP443JC	PP549JC
运输尺寸 Transport Dimensions					
长 Length(mm)	10650	11150	12910	14400	14400
宽 Width(mm)	2550	2780	3120	2950	2950
高 Height(mm)	3900	4019	4438	4590	4590
重量 Weight(kg)	26800	41600	60100	70400	86000
轴重 Axle Weight(kg)	16800	26800	38800	46400	55000
牵引销荷重 King Pin Weight(kg)	10000	14800	21300	24000	31000
颚式破碎机 Jaw Crusher					
型号 Model	JC231	JC340	JC440	JC443	JC549
给料口 Feed Opening(mm)	510x800	600x1020	760x1020	850x1100	950x1250
出料口调整范围 Setting Range(c.s.s)(mm)	40-150	60-175	70-200	90-125	110-250
产量 Capacity(t/h)	50-250	85-300	120-520	170-625	260-810
给料机 Feeder					
型号 Model	GZT0932Y	ZSW380x95	ZSW490x110	ZSW600x130	ZSW600x130
料仓容积 Feed Hopper Volume(m <sup>3</sup> )	6	7	8.4	10	10
料仓宽 Hopper Width(mm)	3150	3000	3000	3000	3000
皮带机 Belt Conveyor					
型号 Model	B800x6.8	B1000x7.2	B1000x7.5	B1200x8.3	B1200x8.3



# PP系列轮胎移动圆锥式破碎站

PP Series Portable Cone Crushing Plant



## 特点及优势

- 移动底盘设计符合国际标准，拥有符合规范的灯光和制动系统。底盘采用大截面型钢，为重载设计。
- 移动底盘采用U型梁设计，降低了移动站的整体高度，大大降低了破碎物料的装运成本。
- 采用液压支腿（选装），便于现场安装。料仓采用组合设计，大大降低运输高度。

## Features and Benefits

- Mobile chassis conforms to the international standards. It has standard lighting and braking system. The chassis is heavy-duty design with big section steel.
- The girder of mobile chassis is designed to be U style so that the overall height of the mobile crushing plant is reduced. So the loading cost is reduced greatly.
- Adopt hydraulic leg(optional) for lift installation. Hopper adopts unitized design and reduces transport height greatly.

## 技术参数 Technical Data

型号 Model	PP120SMH3S	PP2000SMS2S	PP2000SMS4S	PP250SMH3S	PP250SMH4S
运输尺寸 Transport Dimensions					
长 Length(mm)	13920	15000	15000	15690	15690
宽 Width(mm)	2780	2780	2910	3280	3300
高 Height(mm)	4340	4350	4300	4500	4500
重量 Weight(kg)	33000	37500	41000	53000	54600
轴重 Axle Weight(kg)	21000	26000	25200	34500	35800
牵引销荷重 King Pin Weight(kg)	11000	11500	15700	18500	18800
圆锥破碎机 Cone Crusher					
型号 Model	SMH120	SMS2000	SMS2000	SMH250	SMH250
最大进料 Feed Opening(mm)	50-160	60-180	60-180	80-240	80-240
出料口调整范围 Setting Range(c.s.s)(mm)	9-32	9-32	9-32	9-51	9-51
振动筛 Screen					
型号 Model	3YK1548	2YK1860	4YK1860	3YK2160	4YK2160
皮带机 Belt Conveyor					
型号 Model	B800x7.4	B1000x8.2	B1000x8.2	B1000x8.2	B1000x8.2
轴数 Number of Axles	2	2	3	3	3

# PP系列轮胎移动圆锥式破碎站

PP Series Portable Cone Crushing Plant



## 特点及优势

- 移动底盘设计符合国际标准，拥有符合规范的灯光和制动系统。底盘采用大截面型钢，为重载设计。
- 移动底盘采用U型梁设计，降低了移动站的整体高度，大大降低了破碎物料的装运成本。
- 采用液压支腿（选装），便于现场安装。料仓采用组合设计，大大降低运输高度。

## Features and Benefits

- Mobile chassis conforms to the international standards. It has standard lighting and braking system. The chassis is heavy-duty design with big section steel.
- The girder of mobile chassis is designed to be U style so that the overall height of the mobile crushing plant is reduced. So the loading cost is reduced greatly.
- Adopt hydraulic leg(optional) for lift installation. Hopper adopts unitized design and reduces transport height greatly.

## 技术参数 Technical Data

型号 Model	PP120SMH	PP2000SMS	PP250SMH
运输尺寸 Transport Dimensions			
长 Length(mm)	11200	11200	11500
宽 Width(mm)	2780	2780	2780
高 Height(mm)	3900	4160	4180
重量 Weight(kg)	26200	28500	36100
轴重 Axle Weight(kg)	17300	18100	25800
牵引销荷重 King Pin Weight(kg)	8900	10400	10300
圆锥破碎机 Cone Crusher			
型号 Model	SMH120	SMS2000	SMH250
最大进料 Feed Opening(mm)	50-160	60-180	80-240
出料口调整范围 Setting Range(c.s.s)(mm)	9-32	9-32	9-51
皮带机 Belt Conveyor			
型号 Model	B800x6.7	B800x6.7	B1000x7.2
轴数 Number of Axles	2	2	2

# PP系列轮胎移动圆锥式破碎站

PP Series Portable Cone Crushing Plant



## 特点及优势

- 移动底盘设计符合国际标准，拥有符合规范的灯光和制动系统。底盘采用大截面型钢，为重载设计。
- 移动底盘采用U型梁设计，降低了移动站的整体高度，大大降低了破碎物料的装运成本。
- 采用液压支腿（选装），便于现场安装。料仓采用组合设计，大大降低运输高度。

## Features and Benefits

- Mobile chassis conforms to the international standards. It has standard lighting and braking system. The chassis is heavy-duty design with big section steel.
- The girder of mobile chassis is designed to be U style so that the overall height of the mobile crushing plant is reduced. So the loading cost is reduced greatly.
- Adopt hydraulic leg(optional) for lift installation. Hopper adopts unitized design and reduces transport height greatly.

## 技术参数 Technical Data

型号 Model	PP100SMGS	PP100(S)SMGS	PP200SMGS	PP200(S)SMGS	PP300SMGS	PP300(S)SMGS
运输尺寸 Transport Dimensions						
长 Length(mm)	13920	13920	14323	14323	13920	13720
宽 Width(mm)	2780	2780	3070	3070	2780	2780
高 Height(mm)	4300	4430	4585	4585	4450	4645
重量 Weight(kg)	28000	34400	43100	45600	48700	53900
轴重 Axle Weight(kg)	19800	20600	25100	26400	31500	33500
牵引销荷重 King Pin Weight(kg)	8200	9600	18000	19200	17200	20400
圆锥破碎机 Cone Crusher						
型号 Model	SMG100	SMG100S	SMG200	SMG200S	SMG300	SMG300S
最大进料 Feed Opening(mm)	38-150	200-240	70-200	300-360	70-215	400-450
出料口调整范围 Setting Range(c.s.s)(mm)	4-32	22-38	8-38	22-54	10-44	29-54
处理量 Capacity(t/h)	25-120	70-135	63-215	105-330	95-368	215-586
振动筛 Screen						
型号 Model	3YK1548	3YK1548	3YK1860	3YK1860	3YK2160	3YK2160
皮带机 Belt Conveyor						
型号 Model	B800x7.4	B800x7.4	B1000x8.2	B1000x8.2	B1000x8.2	B1000x8.2
轴数 Number of Axles	2	2	2	2	3	3

# PP系列轮胎移动反击式破碎站(初碎)

PP Series Portable Impact Crushing Plant (Primary)



## 特点及优势

- 移动底盘设计符合国际标准，拥有符合规范的灯光和制动系统。底盘采用大截面型钢，为重载设计。
- 移动底盘采用U型梁设计，降低了移动站的整体高度，大大降低了破碎物料的装运成本。
- 采用液压支腿（选装），便于现场安装。料仓采用组合设计，大大降低运输高度。

## Features and Benefits

- Mobile chassis conforms to the international standards. It has standard lighting and braking system. The chassis is heavy-duty design with big section steel.
- The girder of mobile chassis is designed to be U style so that the overall height of the mobile crushing plant is reduced. So the loading cost is reduced greatly.
- Adopt hydraulic leg(optional) for lift installation. Hopper adopts unitized design and reduces transport height greatly.

## 技术参数 Technical Data

型号 Model	PP128HC	PP139HC	PP239HC	PP255HC	PP359HC	PP459HC
运输尺寸 Transport Dimensions						
长 Length(mm)	10850	10800	11030	11490	13670	13670
宽 Width(mm)	2780	2780	2780	2880	3110	3110
高 Height(mm)	4400	4400	4370	4460	4780	4890
重量 Weight(kg)	27000	30000	37700	48440	60100	63500
轴重 Axle Weight(kg)	18500	19000	25600	30920	38800	39500
牵引销重 King Pin Weight(kg)	8500	11000	12100	17520	21300	24000
反击式破碎机 Impact Crushers						
型号 Model	HC128	HC139	HC239	HC255	HC359	HC459
最大给料边长 Max Feed Size(mm)	300	400	500	500	600	750
通过量 Throughput(t/h)	40-70	50-80	70-120	130-180	160-250	220-450
给料机 Feeder						
型号 Model	GZT0724	GZT0724	GZT0932	ZSW380x95	ZSW490x110	ZSW490x110
料仓容积 Feed Hopper Volume(m <sup>3</sup> )	3.2	3.2	7.6	9	10	10
皮带机 Belt Conveyor						
型号 Model	B500x7.5	B800x7	B800x7.5	B1000x8	B1000x8	B1200x8.3
永磁自卸式除铁器 Permanent Magnetic Separator						
除铁器 Magnetic Separator	选装 optional	选装 optional	选装 optional	选装 optional	选装 optional	选装 optional

# PP系轮胎列移动反击式破碎站(中碎)

PP Series Portable Impact Crushing Plant (Secondary)



## 特点及优势

- 移动底盘设计符合国际标准，拥有符合规范的灯光和制动系统。底盘采用大截面型钢，为重载设计。
- 移动底盘采用U型梁设计，降低了移动站的整体高度，大大降低了破碎物料的装运成本。
- 采用液压支腿（选装），便于现场安装。料仓采用组合设计，大大降低运输高度。

## Features and Benefits

- Mobile chassis conforms to the international standards. It has standard lighting and braking system. The chassis is heavy-duty design with big section steel.
- The girder of mobile chassis is designed to be U style so that the overall height of the mobile crushing plant is reduced. So the loading cost is reduced greatly.
- Adopt hydraulic leg(optional) for lift installation. Hopper adopts unitized design and reduces transport height greatly.

## 技术参数 Technical Data

型号 Model	PP139HCS	PP239HCS	PP255HCS	PP359HCS
运输尺寸 Transport Dimensions				
长 Length(mm)	10800	13800	14700	14500
宽 Width(mm)	2480	2743	2900	3000
高 Height(mm)	4170	4200	4420	4200
重量 Weight(kg)	28800	35000	40300	47000
轴重 Axle Weight(kg)	15900	24500	26000	32400
牵引销重 King Pin Weight(kg)	11300	10500	14300	14600
反击式破碎机 Impact Crusher				
型号 Model	HC139	HC239	HC255	HC359
给料口 Feed Opening(mm)	1100×640	1100×740	1450×760	1550×1080
通过量 Throughput(t/h)	50-80	100-180	100-290	160-250
皮带机 Belt Conveyor				
型号 Model	B650x6.2	B800x7.4	B800x8.2	B1000x8.2
振动筛 Screen				
型号 Model	3YK1235	3YK1548	3YK1860	3YK2160

# PP系列轮胎移动立式冲击破碎站

PP Series VSI Crushing Plant



## 特点及优势

- 移动底盘设计符合国际标准，拥有符合规范的灯光和制动系统。底盘采用大截面型钢，为重载设计。
- 移动底盘采用U型梁设计，降低了移动站的整体高度，大大降低了破碎物料的装运成本。
- 采用液压支腿（选装），便于现场安装。料仓采用组合设计，大大降低运输高度。

## Features and Benefits

- Mobile chassis conforms to the international standards. It has standard lighting and braking system. The chassis is heavy-duty design with big section steel.
- The girder of mobile chassis is designed to be U style so that the overall height of the mobile crushing plant is reduced. So the loading cost is reduced greatly.
- Adopt hydraulic leg(optional) for lift installation. Hopper adopts unitized design and reduces transport height greatly.

## 技术参数 Technical Data

型号 Model	PP5000VSI	PP5000VSI S	PP6000VSI	PP6000VSI S	PP7000VSI	PP7000VSI S
运输尺寸 Transport Dimensions						
长 Length(mm)	9800	11280	11500	15470	14000	15420
宽 Width(mm)	2490	2780	2780	2780	3300	2780
高 Height(mm)	4200	4100	3850	4180	4160	4250
重量 Weight(kg)	21600	28000	22100	32600	23200	33200
轴重 AxleWeight(kg)	14600	19200	15100	22300	15100	21700
牵引销荷重 King Pin Weight(kg)	7000	8800	7000	10300	8100	11500
立式冲击破碎机 VSI Crusher						
型号 Model	VSI-5000	VSI-5000	VSI-6000	VSI-6000	VSI-7000	VSI-7000
最大给料尺寸 Max Feed Size(mm)	65 (80)	65 (80)	70 (80)	70 (80)	70 (80)	70 (80)
通过量 Throughput Capacity Range(t/h)	80-150	80-150	120-250	120-250	180-350	180-350
振动筛 Screen						
型号 Model		3YK1548		3YK1860		3YK2160
皮带机 Belt Conveyor						
型号 Model	B650×6.5Y	B800×7.2Y	B800×6.7Y	B1000×8.6Y	B1000×8.2Y	B1000×8.6Y
轴数 Number of Axles	1	2	2	2	3	2

# PP系列轮胎移动筛分站

PP Series Portable Screening Plant



## 特点及优势

- PP系列轮胎式移动筛分站特点和优势。
- 配备了高性能的筛分箱。
- 自动化筛分运动和调节，筛分效率较大化。
- 严格管理所有运行单位，提高产品寿命和可靠性。
- 低噪声和低排放的特点。

## Features and Benefits

- Equipped with a high-performance screening box.
- Automated screening exercise and conditioning can achieve maximum.
- Screening efficiency.
- The strict management of every operation unit can improve product life and reliability.
- Low noise and low emission.

## 技术参数 Technical Data

型号 Model	PP1548YK3S	PP1860YK3S	PP2160YK3S	PP2460YK3S
运输尺寸 Transport Dimensions				
长 Length(mm)	14740	15070	15070	15300
宽 Width(mm)	3360	3380	3533	4360
高 Height(mm)	4500	4533	4533	4950
重量 Weight(kg)	25800	28300	30620	39600
轴重 Axle Load(kg)	11540	16000	17120	21600
牵引销荷重 King Pin Weight(kg)	14260	12300	13500	18000
振动筛 Screen				
型号 Model	3YK1548	3YK1860	3YK2160	3YK2460
上料皮带机 Feeding Belt Conveyer				
型号 Model	B800×12.5Y	B800×12.7Y	B800×12.7Y	B1000×12.7Y
筛下皮带机 Belt under Screen				
型号 Model	B650×7.5Y	B800×8.2Y	B1000×8.2Y	B1400×8.4Y
侧皮带机 Side of the Belt Conveyer				
型号 Model	B500×5.6Y	B500×5.6 Y	B500×5.6 Y	
车架轴数 Frame Axle Number				
轴数 Number of Axles	2	2	2	2

型号 Model (含料仓 include silo)	PP1235YK3S	PP1548YK3S	PP1860YK3S	PP2160YK3S
运输尺寸 Transport Dimensions				
长 Length(mm)	11720	14740	14850	15230
宽 Width(mm)	2930	2780	3080	3720
高 Height(mm)	4533	4500	4500	4500
重量 Weight(kg)	17600	23700	28500	33500
轴重 Axle Load(kg)	8600	12400	15200	23900
牵引销荷重 King Pin Weight(kg)	9000	11300	13300	18000
振动筛 Screen				
型号 Model	3YK1235	3YK1548	3YK1860	3YK2160
功率 Power(kw)	7.5	18.5	18.5	30
料仓 Silo				
容积 Volume(m³)	3	3	3	5
上料皮带机 Feeding Belt Conveyer				
型号 Model	B500×9.8Y	B800×12.7Y	B800×12.7Y	B1000×12.7Y
筛下皮带机 Belt under Screen				
型号 Model	B500×6.0Y	B650×7.5Y	B800×8.2Y	B1000×8.2Y
侧皮带机 Side of the Belt Conveyer				
型号 Model	B500×4.9Y	B500×4.9Y	B500×4.9Y	B500×4.9Y
车架轴数 Frame Axle Number				
轴数 Number of Axles	1	2	2	2

# MP-J系列履带移动颚式破碎站

MP-J Series Mobile Jaw Crushing Plant



MP-J履带移动颚式破碎站采用更专业的移动破碎技术设计和制造，能够满足客户的移动破碎要求，改变您的盈利模式。

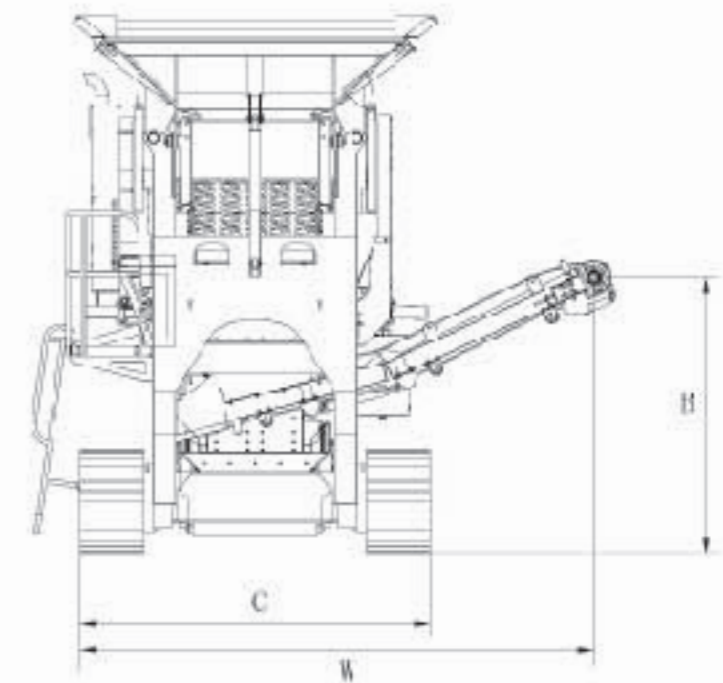
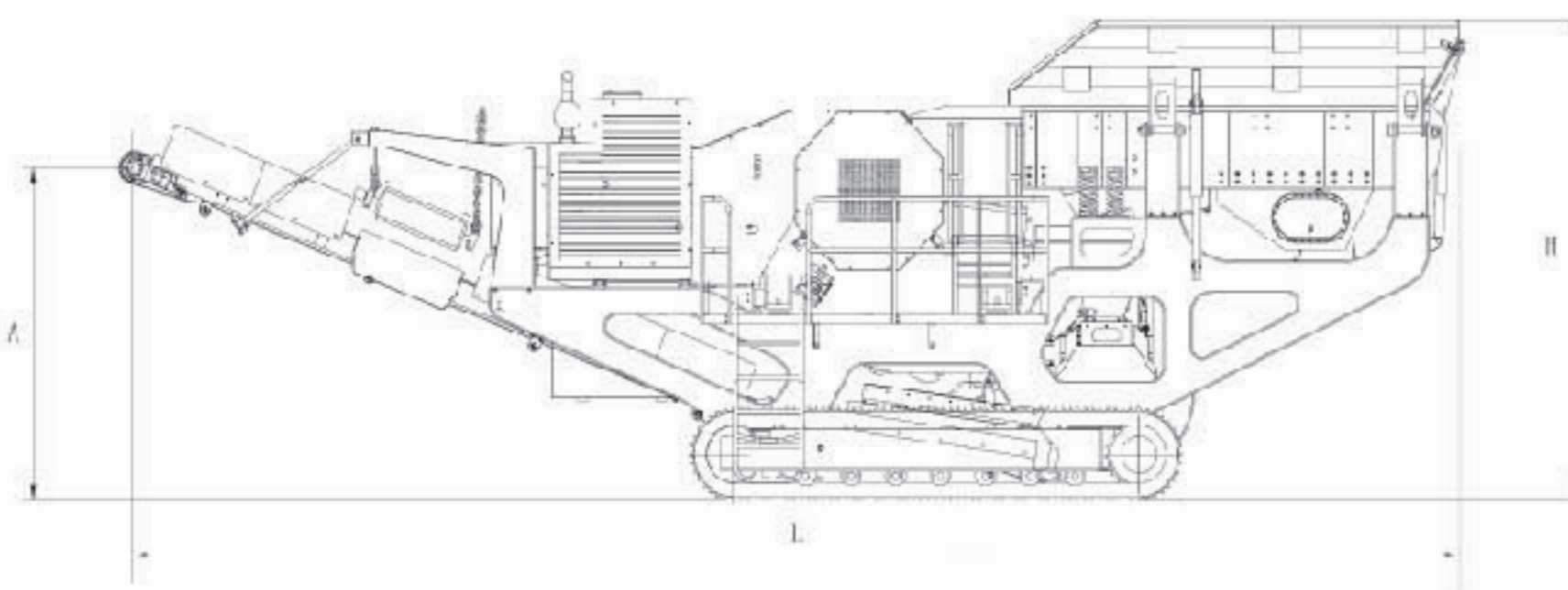
Designed and manufactured with more professional mobile crushing technology, MP-J Series Mobile Jaw Crushing Plant can meet the customers' requirement of high mobility, high crushing efficiency and optimizes your business mode.

## 特点及优势

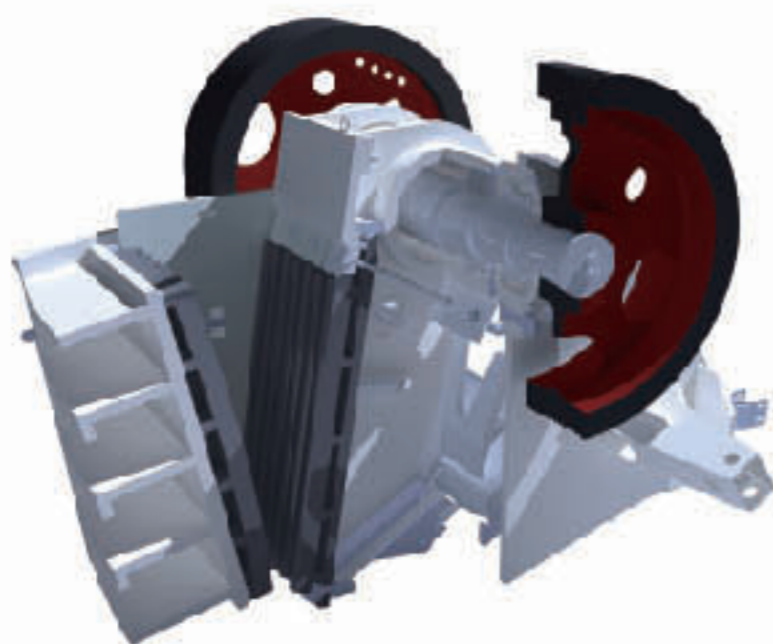
- 破碎效率高，处理量大。
- 重型化设计，高可靠性。
- 易于运输和能够快速投入生产。
- 操作和维护方便。
- 移动灵活。
- 发动机先进，油料消耗低，大大降低运营成本。
- 符合最严格的环保标准。

## Features and Benefits

- High capacity and crushing efficiency.
- Heavy duty design, high reliability.
- Easy transport and fast set-up.
- Convenient operation and maintenance.
- High mobility.
- Advanced engine, less fuel consumption, reduces operation cost.
- Meet strict environmental standards.



## 外形尺寸 Overall Dimensions (mm)



	MP-J6	MP-J7	MP-J8	MP-J10
L	12600	14800	16000	16500
W	4060	4100	4800	6500
H	4160	4400	4400	6000
A	2900	3300	3800	4000
B	2140	2400	3000	3200
C	2760	2850	3250	4300



# MP-J系列履带移动颚式破碎站

## MP-J Series Mobile Jaw Crushing Plant

### 技术参数 Technical Data

型号 Model	MP-J6	MP- J7	MP- J8	MP- J10
进料口尺寸 Size of Feed Opening(mm×mm)	600×1060	760×1000	850×1150	1070×1400
最大进料粒度 Max Feed Size(mm)	500	630	720	950
排矿口调整范围 Gap Width(mm)	60-175	70-200	70-220	100-250
处理量 Crushing Capacity(t/h)	最大 up to 280	最大 up to 400	最大 up to 500	最大 up to 800
动力装置 Driving Unit				
发动机 Engine	Cummins Tier3	Cat C9	Cat C12	Cat C15
功率 Power(kw)	164	242	317	390
给料斗 Feed Hopper				
料斗容积 Hopper Volume(m³)	6	7	8	10
棒条给料机 Grizzly Feeder with Pre-screening				
驱动方式 Drive	液压 hydraulic	液压 hydraulic	液压 hydraulic	液压 hydraulic
主皮带机 Main Conveyor Belt				
皮带宽度 Belt Width(mm)	1000	1000	1200	1400
卸料高度 Discharge Height(mm)	2900	3300	3800	4000
驱动方式 Drive	液压 hydraulic	液压 hydraulic	液压 hydraulic	液压 hydraulic
侧皮带机 Side Conveyor Belt				
卸料高度 Discharge Height(mm)	2140	2400	3000	3200
驱动方式 Drive	液压 hydraulic	液压 hydraulic	液压 hydraulic	液压 hydraulic
运输时皮带机头部可以折叠 For Transportation the Head-piece can be Folded				
履带行走装置 Crawler Unit				
驱动方式 Drive	液压 hydraulic	液压 hydraulic	液压 hydraulic	液压 hydraulic
永磁自卸式除铁器 Permanent Magnetic Separator				
除铁器 Magnetic Separator	可选 option	可选 option	可选 option	可选 option
外形尺寸和重量 Dimensions and Weights				
工作状态外形尺寸 Working Dimensions				
- 长度 Length(mm)	12600	14800	16000	16500
- 宽度 Width(mm)	4060	4100	4200	4300
- 高度 Height(mm)	4160	4400	4400	6000
运输状态外形尺寸 Transport Dimensions				
- 长度 Length(mm)	12600	14600	16000	16000
- 宽度 Width(mm)	2760	2850	3200	3500
- 高度 Height(mm)	3460	3900	3800	3900
重量 Weight (t) 约 Approximately	39	48	65	115

注： 上述生产能力是在破碎物料堆比重为1.6t/m<sup>3</sup>时开路循环生产中总吨数。生产能力与破碎物料的物理性能、给料方式、进料粒度及其组成等工况有关。

**Note:** Capacity is the total production tons of open circuit when the material bulk density to be crushed is 1.6t/m<sup>3</sup>. Production capacity will be affected by physics character of material and feeding method, feeding size and material composition, and so on.

# MP-C系列履带移动圆锥式破碎站

MP-C Series Mobile Cone Crushing Plant



MP-C系列履带移动圆锥式破碎站采用更专业的移动破碎技术设计和制造，能够满足客户的移动破碎要求，改变您的盈利模式。

Designed and manufactured with more professional mobile crushing technology, MP-C Series Mobile Cone Crushing Plant can meet the customers' requirement of high mobility, high crushing efficiency and optimizes your business mode.

## 技术参数 Technical Data

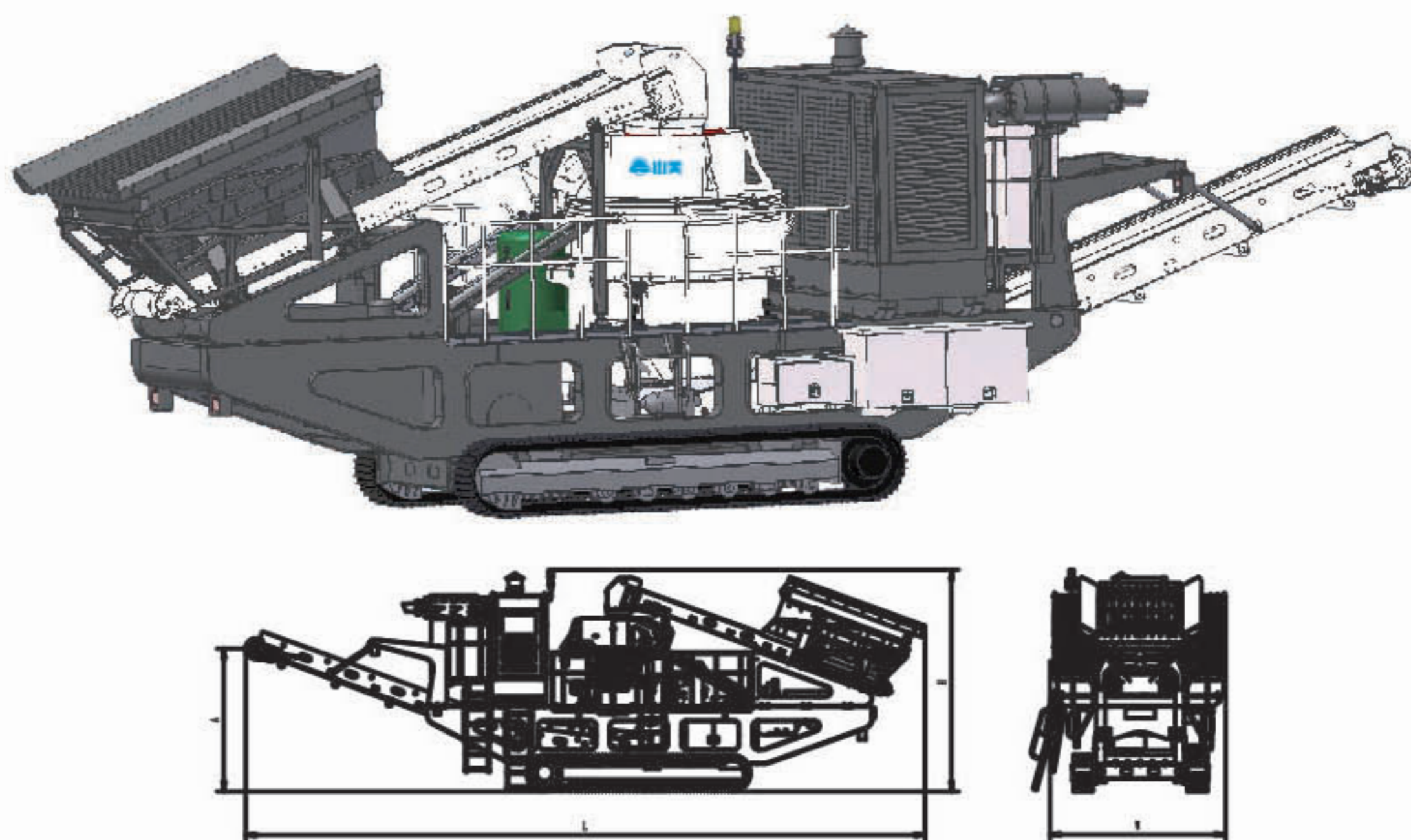
型号 Model	MP-C120	MP-C180	MP-C250
圆锥破碎机型号 Cone Crusher Model	SMH120	SMH180	SMH250
最大进料粒度 Max Feed Size(mm)	160	180	260
排矿口调整范围 Gap Width(mm)	9-32	9-32	9-51
处理量 Crushing Capacity(t/h)	最大 up to 150	最大 up to 200	最大 up to 350
动力装置 Driving Unit			
发动机 Engine	Cummins or CAT	Cummins or CAT	Cummins or CAT
功率 Power(kw)	261	261	400
给料斗 Feed Hopper			
料斗容积 Hopper Volume(m³)	4	5	6
带式给料机 Belt Feeder			
驱动方式 Drive	液压 hydraulic	液压 hydraulic	液压 hydraulic
主皮带机 Main Conveyor Belt			
卸料高度 Discharge Height(mm)	2900	3300	3300
驱动方式 Drive	液压 hydraulic	液压 hydraulic	液压 hydraulic
履带行走装置 Crawler Unit			
驱动方式 Drive	液压 hydraulic	液压 hydraulic	液压 hydraulic
外形尺寸和重量 Dimensions and Weights			
工作状态外形尺寸 Working Dimensions			
- 长度 Length(mm)	13767	13850	14530
- 宽度 Width(mm)	3621	3650	4150
- 高度 Height (mm)	4497	4550	4720
运输状态外形尺寸 Transport Dimensions			
- 长度 Length(mm)	14273	14320	14900
- 宽度 Width(mm)	3543	3570	3640
- 高度 Height(mm)	4024	4050	4130
重量 Weight(t)	37	39.5	49

注：上述生产能力是在破碎物料堆比重为 1.6t/m³ 时开路循环生产中总吨数。生产能力与破碎物料的物理性能、给料方式、进料粒度及其组成等工况有关。

**Note:** Capacity is the total production tons of open circuit when the material bulk density to be crushed is 1.6t/m³. Production capacity will be affected by physics character of material and feeding method, feeding size and material composition, and so on.

# MP-VSI系列履带移动立式冲击破碎站

MP-VSI Series Mobile VSI Crushing Plant



MP-VSI系列履带移动立式冲击破碎站采用更专业的移动破碎技术设计和制造，能够满足客户的移动破碎要求，改变您的盈利模式。

Designed and manufactured with more professional mobile crushing technology, MP-VSI Series Mobile VSI Crushing Plant can meet the customers' requirement of high mobility, high crushing efficiency and optimizes your business mode.

## 技术参数 Technical Data

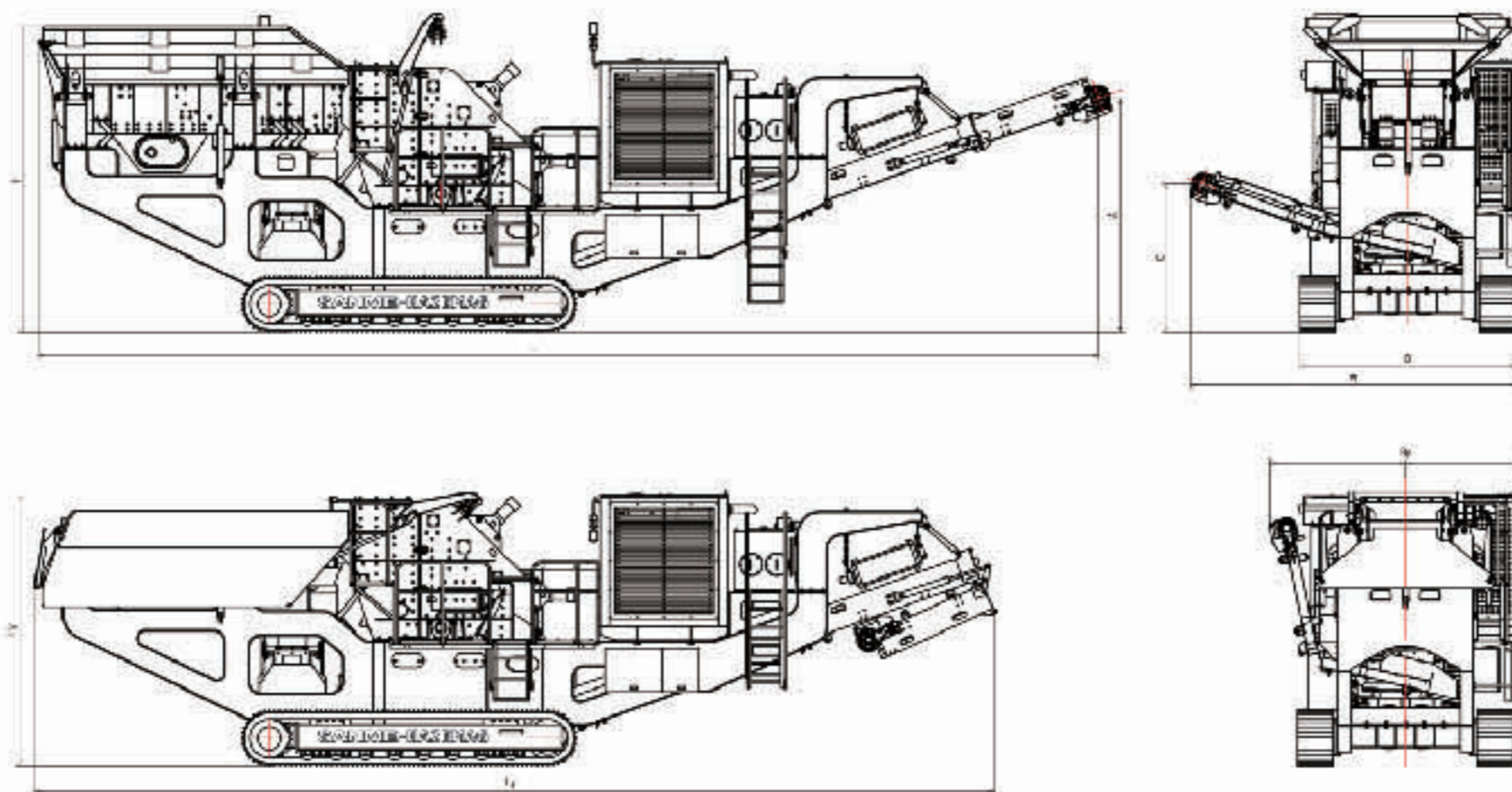
型号 Model	MP-VSI 5000	MP-VSI 6000	MP-VSI 7000
立式冲击破碎机型号 VSI Crusher Model	VSI 5000	VSI 6000	VSI 7000
最大进料粒度 Max Feed Size(mm)	65	70	70
处理量 Crushing Capacity(t/h)	80-150	120-250	180-350
动力装置 Driving Unit			
发动机 Engine	Cummins or CAT	Cummins or CAT	Cummins or CAT
功率 Power(kw)	400	480	550
给料斗 Feed Hopper			
料斗容积 Hopper Volume(m <sup>3</sup> )	4	6	6
带式给料机 Belt Feeder			
驱动方式 Drive	液压 hydraulic	液压 hydraulic	液压 hydraulic
主皮带机 Main Conveyor Belt			
卸料高度 Discharge Height(mm)	2900	3300	3300
驱动方式 Drive	液压 hydraulic	液压 hydraulic	液压 hydraulic
履带行走装置 Crawler Unit			
驱动方式 Drive	液压 hydraulic	液压 hydraulic	液压 hydraulic
外形尺寸和重量 Dimensions and Weights			
工作状态外形尺寸 Working Dimensions			
- 长度 Length(mm)	13767	13940	13940
- 宽度 Width(mm)	3621	3820	3920
- 高度 Height(mm)	4425	4980	4980
运输状态外形尺寸 Transport Dimensions			
- 长度 Length(mm)	14273	14320	14320
- 宽度 Width(mm)	3543	3751	3851
- 高度 Height(mm)	4024	4130	4330
重量 Weight(t)	38	43	47

注： 上述生产能力是在破碎物料堆比重为1.6t/m<sup>3</sup>时开路循环生产中总吨数。生产能力与破碎物料的物理性能、给料方式、进料粒度及其组成等工况有关。

**Note:** Capacity is the total production tons of open circuit when the material bulk density to be crushed is 1.6t/m<sup>3</sup>. Production capacity will be affected by physics character of material and feeding method, feeding size and material composition, and so on.

# MP-PH系列履带移动反击式破碎站

MP-PH Series Mobile Impact Crushing Plant



MP-PH系列履带移动反击式破碎站是由德国SK集团设计的多用途、紧凑型和模块化的反击式破碎站,用于采石场和回收行业。

MP-PH Series Mobile Impact Crusher Plant is designed by SK Group Germany, it is an all-purpose, compact and modular impact crushing plant for aggregates and recycling industries.

## 特点及优势

- 装有两层格栅的振动给料机使预筛分较优, 因此使整体性能优良并且减少了磨损。
- 满足粒度要求的物料无需进入破碎机而经旁路溜槽直接落到反击破碎机下面的皮带机上, 因此提高了系统的效率。
- MP-PH 系列破碎站配备性能优异的反击式破碎机, 具备液压控制系统的反击式破碎机确保了恒定的产品质量和高可用性。
- 液压系统通过控制反击式破碎机的可活动反击板, 可使不可破碎物顺利通过破碎机。
- 柴油机直接驱动结合卡特彼勒电机使性能在小空间的条件下更佳。
- 通过遥控装置可以方便的操作移动破碎站。
- 作为模块设计, 除铁器、侧出料皮带和喷水系统是可选装的。
- 采用智能控制的移动式破碎站能够达到较优的性能。

## Features and Benefits

- The vibration feeder is fitted with a two-deck grizzly section for an optimum pre-scaling, thus maximizing the total performance and reducing wear.
- The material, which has already the required grain size, is conveyed via a bypass past the impact crusher directly to the discharge chute. Thus the efficiency of the complete plant is increased.
- The MP-PH crushing plant is fitted with the field-tested impact crusher. The hydraulic controlled impact crusher guarantees a constant product quality and a high availability.
- The active hydraulic permit a trouble free material flow via the movable inlet plate of the impact crusher.
- The diesel-direct drive in combination with a CATERPILLAR motor allows for a maximum performance at a small amount of space.
- The processing plant is easy to operate with the remote control.
- Magnetic separator, lateral discharge belt and water spray system are optionally available as approved modules.
- For the optimization of performance and availability the mobile processing plant is operated by an intelligent control in the background.

# MP-PH系列履带移动反击式破碎站

MP-PH Series Mobile Impact Crushing Plant

## 技术参数 Technical Data

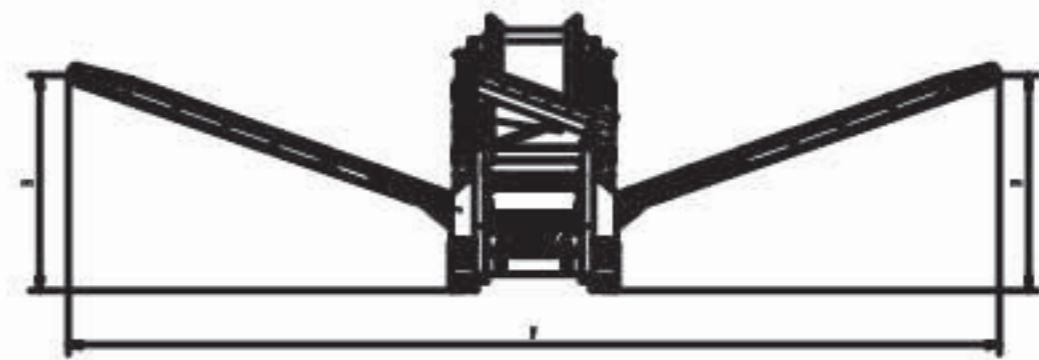
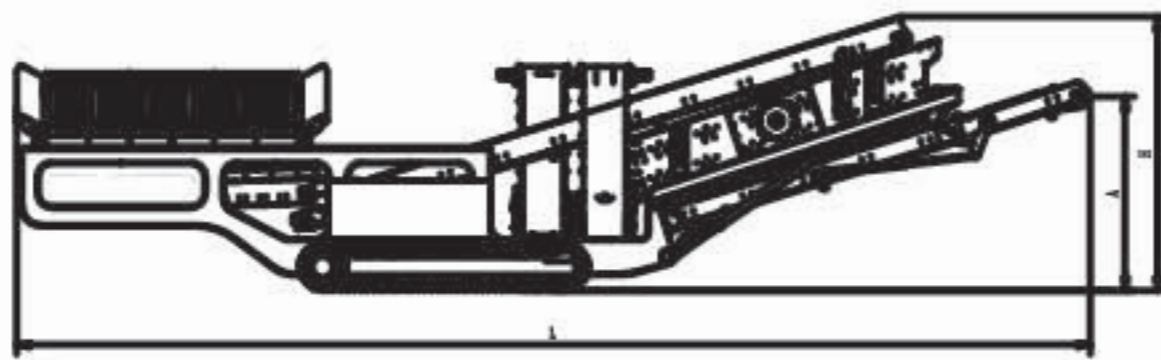
型号 Model	MP-PH 10	MP-PH 14
反击式破碎机型号 Impact Crusher Model	AP-PH-A 1010	AP-PH-A 1414
进料口尺寸 Feed Opening Size(mm×mm)	810×1030	1025×1360
最大进料体积 Max Feed Size(m <sup>3</sup> )	0.3	0.5
最大进料边长 Max Edge Length in One Direction(mm)	800	1000
处理量 Crushing Capacity(t/h)	最大 up to 250	最大 up to 420
驱动方式 Drive	直驱 diesel-direct	直驱 diesel-direct
动力装置 Driving Unit		
发动机 Engine	CAT C9	CAT C18
功率 Power(kw)	242	470
给料斗 Feed Hopper		
料斗容积 Hopper Volume(m <sup>3</sup> )	4.8	8.5
棒条给料机 Grizzly Feeder with Pre-screening(Two-deck)		
驱动方式 Drive	液压 hydraulic	液压 hydraulic
主皮带机 Main Conveyor Belt		
卸料高度 Discharge Height(mm)	3100	3500
驱动方式 Drive	液压 hydraulic	液压 hydraulic
侧皮带机 (选装) Side Conveyor Belt(Optional)		
卸料高度 Discharge Height(mm)	1900	3500
驱动方式 Drive	液压 hydraulic	液压 hydraulic
运输时皮带机头部可以折叠 For Transportation The Head-piece Can Be Folded		
履带行走装置 Crawler Unit		
驱动方式 Drive	液压 hydraulic	液压 hydraulic
永磁自卸式除铁器 Permanent Magnetic Separator		
除铁器 Magnetic Separator	可选 option	可选 option
外形尺寸和重量 Dimensions and Weights		
工作状态外形尺寸 Working Dimensions		
- 长度 Length(mm)	14600	18000
- 宽度 Width(mm)	4500	6000
- 高度 Height(mm)	4200	4800
运输状态外形尺寸 Transport Dimensions		
- 长度 Length(mm)	13300	17000
- 宽度 Width(mm)	3350	3730
- 高度 Height(mm)	3776	4000
重量 Weight (t) 约 Approximately	43	70

注：上述生产能力是在破碎物料堆比重为1.6t/m<sup>3</sup>时开路循环生产中总吨数。生产能力与破碎物料的物理性能、给料方式、进料粒度及其组成等工况有关。

**Note:** Capacity is the total production tons of open circuit when the material bulk density to be crushed is 1.6t/m<sup>3</sup>. Production capacity will be affected by physics character of material and feeding method, feeding size and material composition, and so on.

# MP-S系列履带移动式筛分站

MP-S Series Mobile Screening Plant



MP-S系列履带移动式筛分站采用更专业的移动筛分技术设计和制造，能够满足客户的移动筛分要求，改变您的盈利模式。

Designed and manufactured with more professional mobile screening technology, MP-S Series Mobile Screen Plant can meet the customers' requirement of high mobility, high screening efficiency and optimizes your business mode.

## 技术参数 Technical Data

型号 Model	MP-S152	MP-S153	MP-S181
筛箱规格 Screen Box(mm×mm)	1500×4500	1500×6100	1800×4800
层数 Deck	2 or 3	2 or 3	2 or 3
动力装置 Driving Unit			
发动机 Engine	Cummins or CAT	Cummins or CAT	Cummins or CAT
功率 Power(kw)	110	138	110
给料斗 Feed Hopper			
料斗容积 Hopper Volume(m³)	10	10	10
带式给料机 Belt Feeder			
驱动方式 Drive	液压 hydraulic	液压 hydraulic	液压 hydraulic
主皮带机 Main Conveyor Belt			
皮带宽度 Belt Width(mm)	1200	1200	1200
驱动方式 Drive	液压 hydraulic	液压 hydraulic	液压 hydraulic
履带行走装置 Crawler Unit			
驱动方式 Drive	液压 hydraulic	液压 hydraulic	液压 hydraulic
外形尺寸和重量 Dimensions and Weights			
工作状态外形尺寸 Working Dimensions			
- 长度 Length(mm)	16457	19800	16539
- 宽度 Width(mm)	14282	17800	14327
- 高度 Height(mm)	4199	7300	4238
运输状态外形尺寸 Transport Dimensions			
- 长度 Length(mm)	14840	19500	15130
- 宽度 Width(mm)	2861	3300	3245
- 高度 Height(mm)	3461	3500	3574
重量 Weight(t)	26	39	29

# 履带式取料机

## Crawler Reclaimer



履带式取料机采用先进可靠的技术，极大地提高工作效率，降低劳动强度，缩短车船、飞机的装卸时间。是企业降低产品成本，提高效率和产品质量的有效设备。

SANME Crawler Reclaimer adopts advanced and reliable technology, which greatly improves the working efficiency, reduces the labor intensity and shortens the loading and unloading time of vehicles, ships and airplanes. It is an effective equipment for enterprises to reduce product cost, improve efficiency and product quality.

### 特点及优势

- ◎ 使用方便：采用螺旋上料、履带行走、折叠输送带传输。
- ◎ 整机移动非常方便、适用任何环境的石料装车作业拌合站的上料。
- ◎ 输送带可自由调节高低，左右方向可调，装车时货车不必移动。
- ◎ 适用货物：石子、沙子等散料的装车。
- ◎ 适用车型：用于大型卡车、轮船。

### Features and Benefits

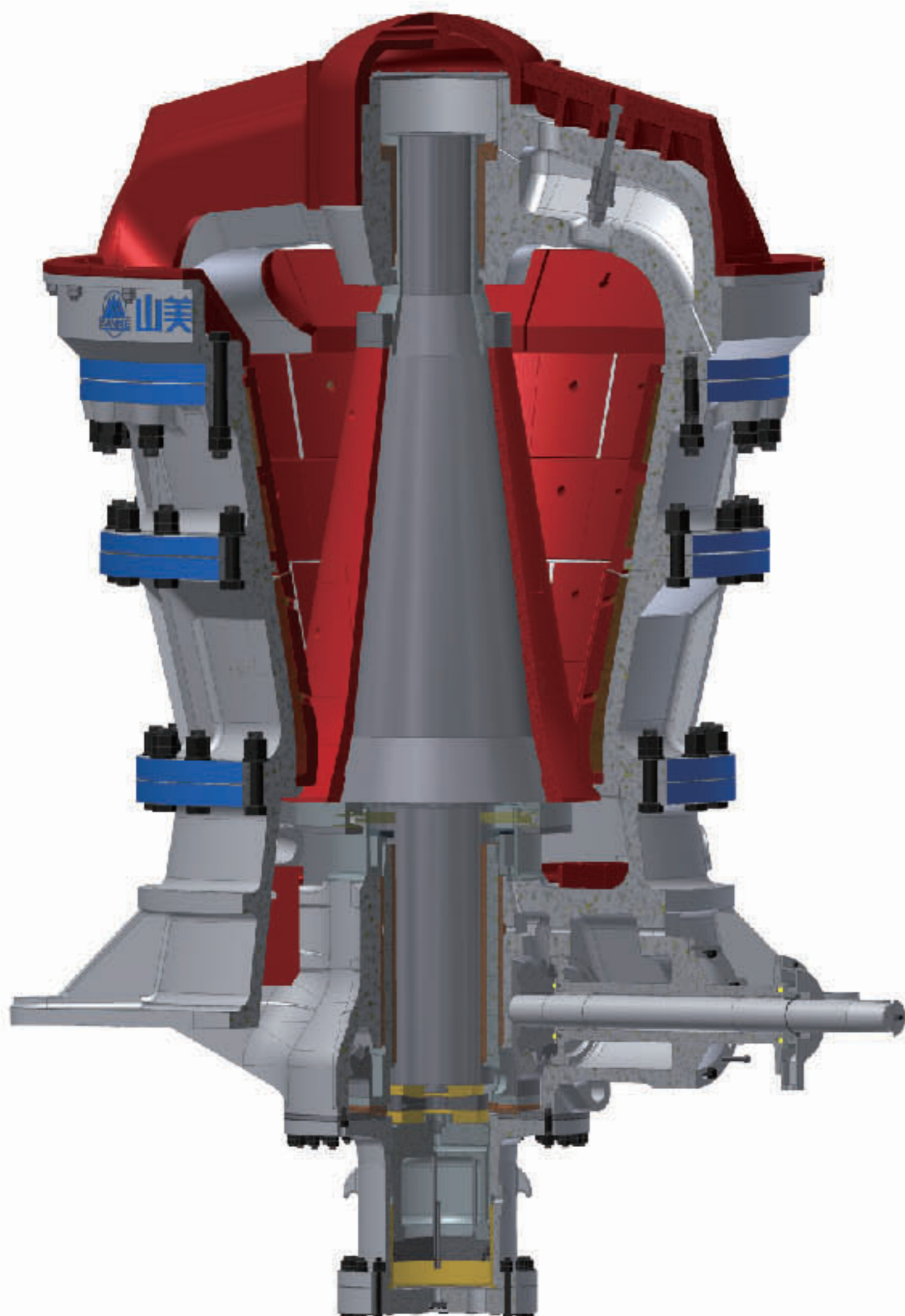
- ◎ Easy operation: It adopts spiral feeding, crawler walking system and folding conveyor belt for transmission.
- ◎ The whole machine is very convenient to move, suitable for stone loading and mixing station feeding under any working condition.
- ◎ The height and horizontal direction of the conveyor belt can be adjusted freely, so the truck does not have to move when loading.
- ◎ Applicable material: gravel, sand and other bulk materials loading.
- ◎ Applicable vehicles: Large trucks and ships.

### 技术参数 Technical Data

外形及重量 Overall Dimension & Weight	运输长度 Transportation Length	运输高度 Transportation Height	运输宽度 Transportation Width	运输重量 Weight	处理能力 Capacity
	13400mm	3700mm	3760mm	19300kg	600-800t/h
铲斗、螺旋 Bucket & Screw	铲斗宽度 Bucket width			驱动形式 Driving Mode	
	3400mm			液压(电动) Hydraulic (Electrical)	
皮带机 1 Conveyor Belt 1	宽度 Width	长度 Length		驱动形式 Driving Mode	
	1000mm	6000mm		液压(电动) Hydraulic (Electrical)	
皮带机 2 Conveyor Belt 2	宽度 Width	长度 Length	最大卸料高度 Maximum unloading height	驱动形式 Driving Mode	
	1000mm	8000mm	5200mm	液压(电动) Hydraulic (Electrical)	
动力部 Driving System	动力形式(可选) Driving Type(Optional)	功率 Power	转速 Rotation Speed		
	发动机 Engine	94kw	1800r/min		
	电动机 Motor	55kw	1480r/min		
履带 Track System	型号 Model	宽度 Width	长度 Length	最大移动速度 Max Movement Speed	品牌 Brand
	18T级	400mm	3470mm	1.2km/h	Strickland (中英合资)
电气相关 Electric System	控制形式 Type of Control				
	无线遥控 Wireless remote control				
液压元件 Hydraulic Components	泵、阀、马达 Pump, Valve, Motor				
	品牌：萨奥丹佛斯 Brand: SAUER Dansoss				

# SMX系列旋回式破碎机

SMX Series Gyratory Crusher



SMX系列旋回破碎机是利用破碎锥在壳体内锥腔中的旋回运动，对物料产生挤压、劈裂和弯曲作用，粗碎各种硬度的矿石或岩石的大型破碎机械。装有破碎锥的主轴的上端支承在横梁中部的衬套内，其下端则置于轴套的偏心孔中。轴套转动时，破碎锥绕机器中心线作偏心旋回运动它的破碎动作是连续进行的，故工作效率高于颚式破碎机。

Gyratory crusher is a large-scale crushing machine used for primary crushing of various hard ores or rocks, the feed material will be compressed, broken and bended through gyrating movement of breaking head within the chamber. The top of main shaft (assembled with breaking head) is supported within the bushing which is installed in the middle of spider arm; the bottom of the main shaft is mounted in the eccentric hole of bushing. The breaking head gives a gyrating movement around axis line of the machine while bushing rotating, and feed material can be crushed continuously, therefore it is more efficient than jaw crusher.

## 技术参数 Technical Data

型号 Model	进料口尺寸 Feed Opening Size(mm)	排料口调整范围 Discharge Range(mm)	生产能力 Capacity(t/h)	电机功率 Motor Power(kw)
SMX810	1100	140-170	1120-1880	355
SMX830	1300	140-170	1560-2370	355
SMX1040	1400	160-210	2081-3015	450
SMX1050	1500	160-210	2350-3380	450
SMX1150	1500	175-220	3805-4930	800
SMX1450	1500	200-250	5315-6813	1100

注：上述生产能力是在破碎物料松散密度为  $1.6t/m^3$  时开路循环生产中总吨数。生产能力与破碎物料的物理性能、给料方式、进料粒度及其组成等工况有关。

**Note:** The capacity is total tons per hour passing through crusher at open circuit when crushing mid-hard material and bulk density with  $1.6t/m^3$ . Capacities are relative to physical character and type of feeding, feeding size and composition and so on.



# 新型插拔式双齿辊筛分破碎机

Plug-in Type Double Toothed Roller Crusher



双齿辊破碎机适用于建筑、筑路等行业中原料的破碎。根据其独特的前切式破碎原理和产能不同，分为多种型号。该型破碎机广泛应用于矿山、建材、公路、铁路、水利和化学工业等众多领域。具有破碎比大、效率高、能耗低、细粉少、产品粒度均匀的优点，适合中碎和细碎多种矿石。

## 特点及优势

- 低速高效率的连续铣切破碎方式，耗电少节约能源；相同产能情况下，比传统锤式破碎机、反击式破碎机、圆锥式破碎机节约约40%-55%。
- 用于破碎的关键辊齿部件，配方独特，韧性好、耐磨损、强度高。
- 独创的辊齿及齿形结构，使所破碎的矿产品具有均匀呈立方体，附着的粉尘少等特点。
- 独创的列装插拔式辊齿设计，大大减少了维修、更换时间和维修成本，提高了生产率。
- 独创的过载卸载保护装置能够在设备误入不可破碎的异物如铁块时及时切断动力传递，保护设备的安全，避免过度损害。
- 独创的机口调节结构，使设备能实现定向破碎，精确破碎，操作简单，满足用户多种需求。
- 矿石利用率高，细粉少。相同产能情况下，细粉比锤式破碎机、反击式破碎机减少10%以上。

Double toothed roll crusher is suitable for crushing raw materials in industries like construction and road construction. It is divided into many types according to its unique crushing principle of front cutting and different performance. This type of crusher is widely used in minerals, building materials, highways, railways, water conservancy, and chemical industrial. It has the high crushing ratio, high efficiency, low energy consumption, less fine powder and uniform particle size, which is suitable for secondary and fine crush many types of ores.

## Features and Benefits

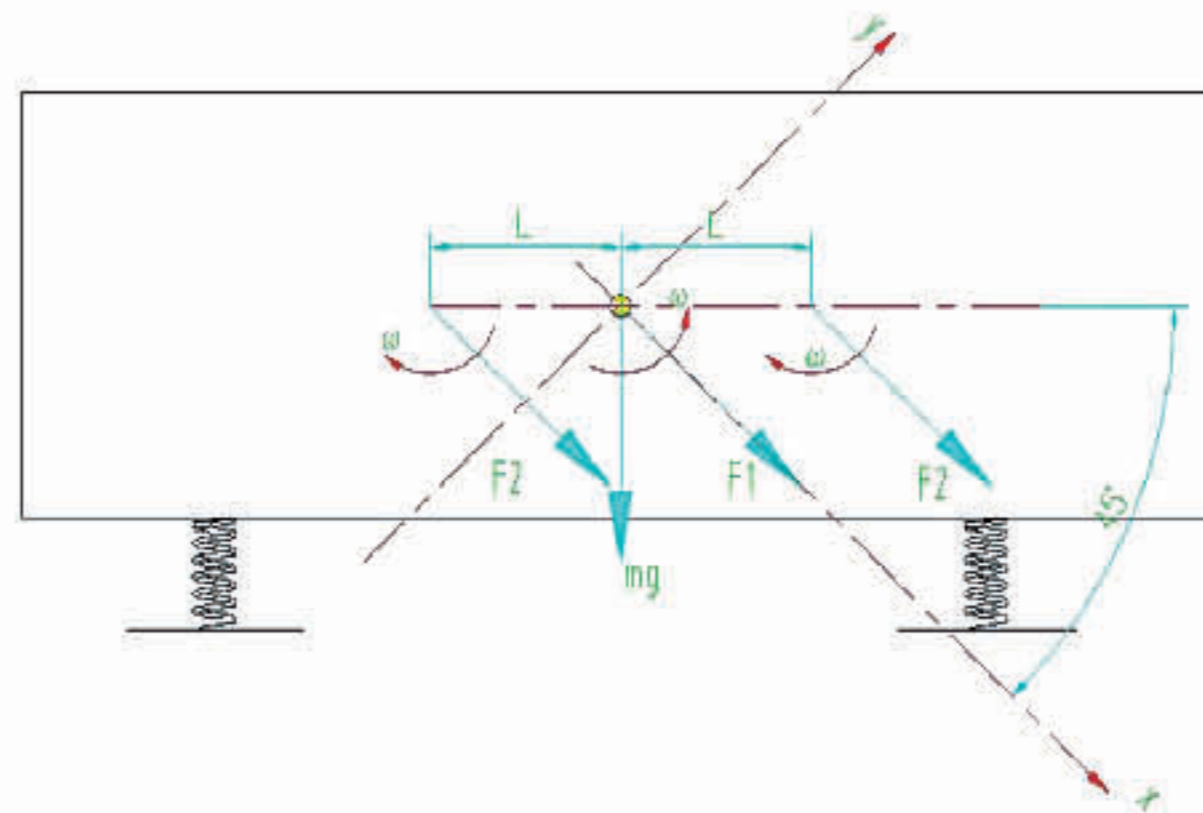
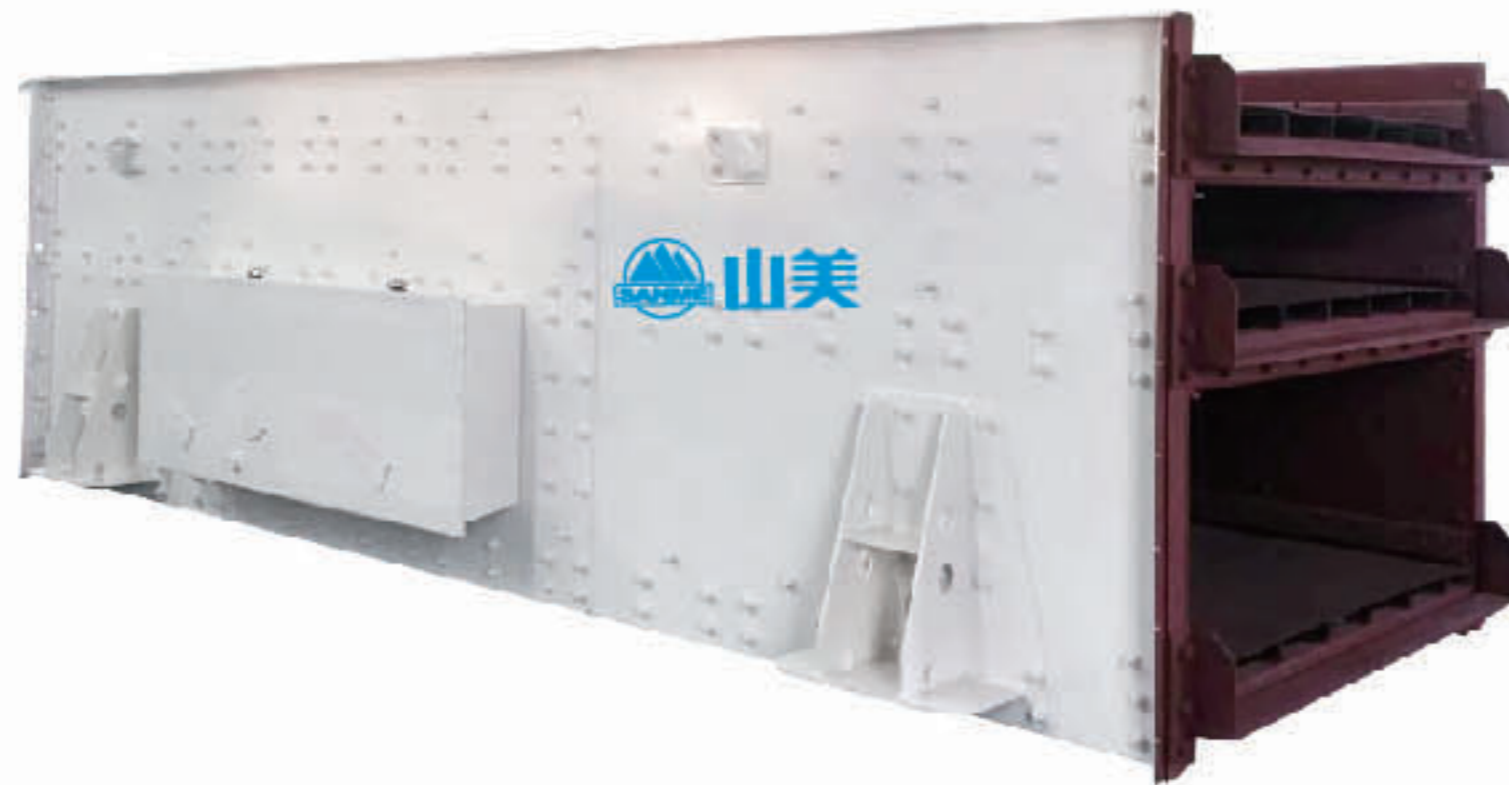
- Continuous crushing of low-speed and high-efficiency results in energy saving. Under the same production capacity, about 40-55% less electricity than traditional hammer crusher, impact crusher and cone crusher.
- The key roller tooth used for crushing is unique so that it is tenacious, wear resistant and intensified.
- The structure of roller tooth and tooth shape makes the crushed products more uniform cube and less dust.
- The design of packaged and plug-and-pull roller tooth greatly reduces the time of maintenance and replacement and maintenance cost.
- The protection device to avoid overload and unload can cut off the power transmission in time to protect the equipment safety and avoid excessive damage.
- The structure of the adjusting port enables the equipment to achieve directional crushing and accurate crushing with simple operation to meet various needs of users.
- The utilization ratio of ore is high and the proportion of fine powder is low. Under the same production capacity, fine powder is reduced by more than 10% compared with hammer crusher and impact crusher.

## 技术参数 Technical Data

型号 Model	LN-PZ1260A	LN-PZ1260B	LN-PZ1370A	LN-PZ1370B	LN-PZ1670A	LN-PZ1670B	LN-PZ1880A	LN-PZ1880B	LN-PZ2070A	LN-PZ2070B
最大进料粒度 Max Feed Size(mm)	200	100	200	100	220	110	300	150	300	150
出料范围 Discharge Range(mm)	0-100	0-50	0-100	0-50	0-100	0-50	0-100	0-50	0-100	0-50
产能 Capacity(t/h)	150-200	150-200	200-250	200-250	250-350	250-350	350-400	350-400	400-500	400-500
功率 Power(kw)	30x2	30x2	45x2	45x2	55x2	75x2	75x2	90x2	75x2	90x2
齿数 Tooth Number	300	300	486	486	630	630	702	702	774	774

# TES系列三轴椭圆筛

TES Series Triaxial Elliptical Screen



TES系列三轴椭圆筛是消化、吸收国内外同类型振动筛技术而研制的振动筛，因水平安装，占用现场空间小，而广泛运用于冶金、建材、交通等行业。

TES series of three-axis elliptical screen is the advanced vibrating screen with advanced screening technology. Because of the horizontal installation, TES Series screen only occupies a small area and has been widely used in metallurgy, building materials, transportation, etc.

## 特点及优势

- 处理能力大，筛分效率高。
- 筛机运行轨迹为椭圆，运动平稳、功耗低。
- 双振幅(15-19mm)、振动方向角(30°-60°)、振动频率(645-875r/min)可调，调整方便、简捷；物料筛分顺畅，不易堵孔、堵料。

## Features and Benefits

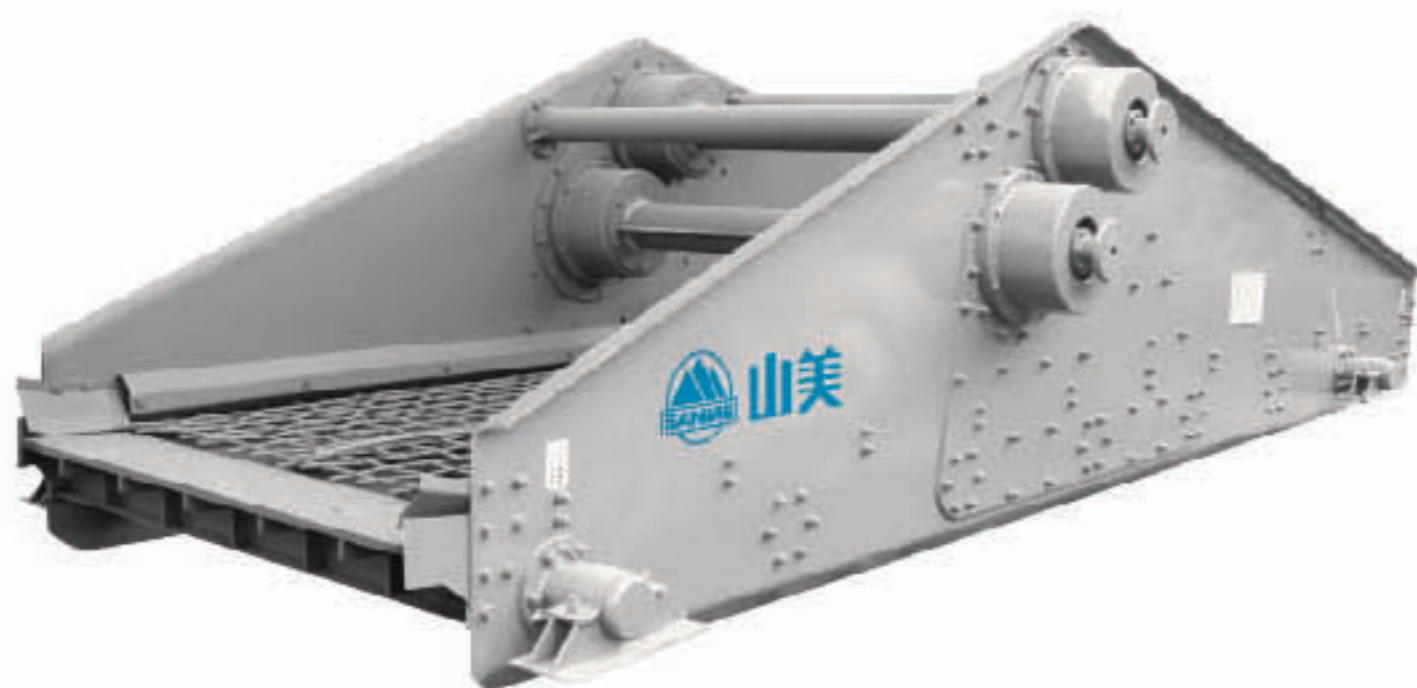
- Large capacity, high screening efficiency .
- Running track of screen is oval, Moving smoothly, Low consumption in power.
- Double amplitude (15-19mm), Vibrating angle (30°-60°), Easy and convenient to adjust screen frequency (645-875 r/min). Smooth to screen materials and not likely to plug.

## 技术参数 Technical Data

型号 Model	规格 Specification (W×L)m	筛面面积 Screen Area (m <sup>2</sup> )	筛面 Screen Mesh		最大进料粒度 Max Feeding Size(mm)	双振幅 Double Amplitude (mm)	振动频率 Vibrating Frequency(r/min)	处理能力 Capacity (t/h)	电机功率 Motor Power (kw)	重量 Weight (t)
			层数 Deck	筛网 Mesh						
2TES1852	1.8x5.2	9.45	2	编织 woven wire cloth	150	14-18	645-875	120-250	22	7.6
3TES1852	1.8x5.2	9.45	3	编织 woven wire cloth		14-18		120-250	30	8.7
2TES1860	1.8x6.0	10.8	2	编织 woven wire cloth		14-18		160-320	37	9.2
3TES1860	1.8x6.0	10.8	3	编织 woven wire cloth		14-18		160-320	37	11.2
2TES2060	2.0x6.0	12	2	编织 woven wire cloth		14-18		200-385	37	10.5
3TES2060	2.0x6.0	12	3	编织 woven wire cloth		14-18		200-385	45	12.3
2TES2460	2.4x6.0	14.4	2	编织 woven wire cloth		14-18		240-462	45	13.2
3TES2460	2.4x6.0	14.4	3	编织 woven wire cloth		14-18		240-462	45	15.1

# ZK系列直线振动筛

ZK Series Linear Vibrating Screen



ZK系列直线振动筛是吸收了德国技术制造的高效振动筛，广泛应用于煤炭、冶金、电力、建材、轻工等行业，对中、细粒级物料进行干、湿式分级或脱水、脱泥、脱介等。

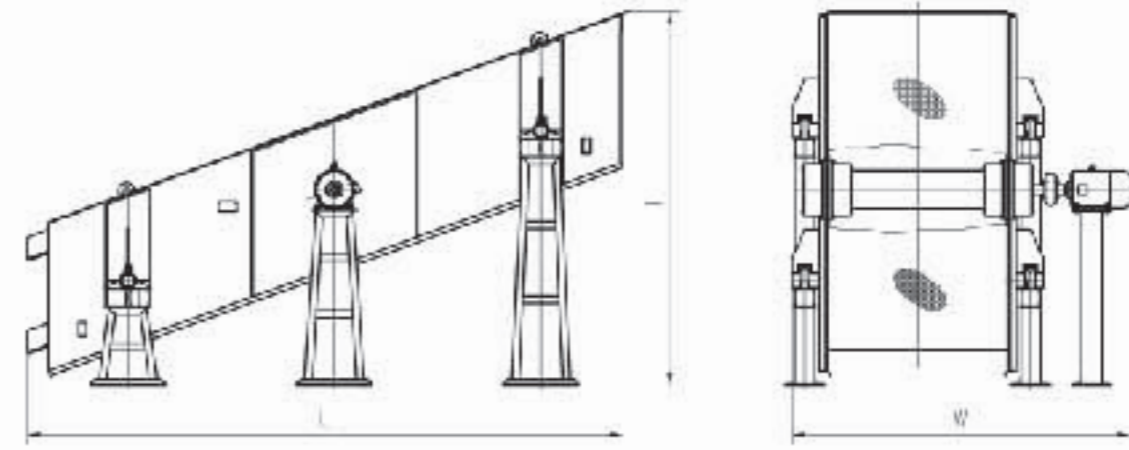
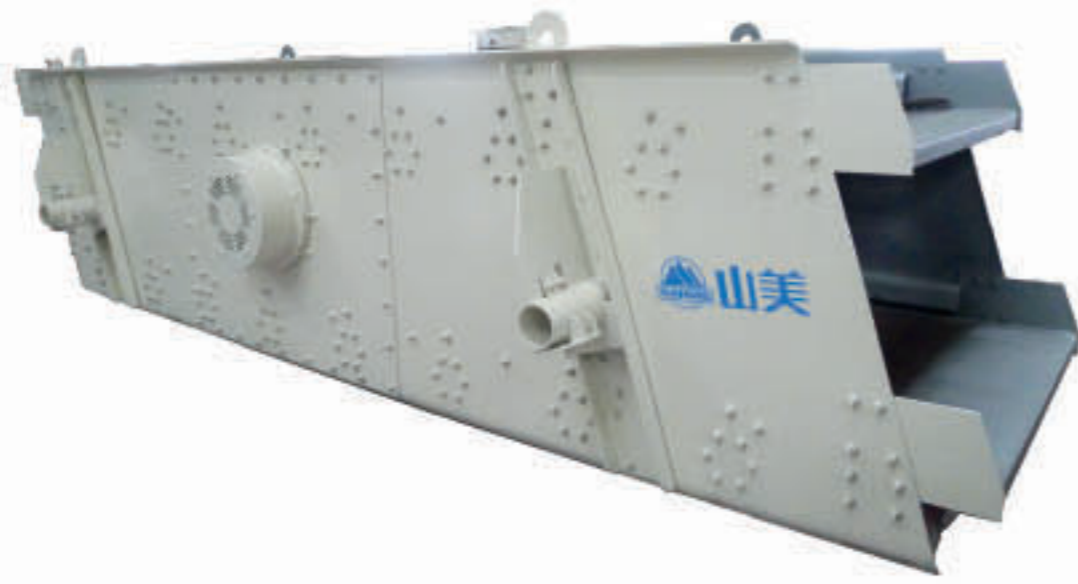
ZK series linear vibrating screen absorbs German technology. With the advanced technology and unique eccentric structure. It is used in coal, metallurgy, electric power, building materials etc. and suitable for dewater, demud, demedium as well as dry and wet classification to medium and fine materials.

## 技术参数 Technical Data

型号 Model	筛面 Screen Surface			给料粒度 Max Feeding Size(mm)	处理能力 Capacity (t/h)	电机功率 Motor Power (kw)	重量 Weight (kg)
	面积 Deck Size(m <sup>2</sup> )	筛孔尺寸 Mesh(mm)	筛网结构 Structure				
ZK1022	2.25	0.25-50	编织、条缝、冲压、 橡胶、聚氨酯筛网 woven, striped, punched, rubber, polyurethane (PU)	<250	4.5-90	3×2	2215
ZK1230	3.6	0.25-50		<250	7.2-144	4×2	2693
ZK1237	4.5	0.25-50		<250	9.0-180	5.5×2	3118
ZK1437	5.25	0.25-50		<250	12.0-250	5.5×2	3210
ZK1445	6.3	0.25-50		<250	12.6-252	7.5×2	4040
ZK1637	6	0.25-50		<250	12.0-240	5.5×2	3552
ZK1645	7.32	0.25-50		<250	14.4-280	7.5×2	4572
ZK1837	6.75	0.25-50		<250	14.4-270	11×2	4995
ZK1845	8.1	0.25-50		<250	16.2-324	11×2	5436
ZK1852	9.45	0.25-50		<250	18.9-378	11×2	5900
ZK2045	9	0.25-50		<250	16.2-324	11×2	5969
ZK2052	10.5	0.25-50		<250	21.0-420	11×2	6472
ZK2060	12	0.25-50		<250	24.0-480	15×2	7558
ZK2445	10.8	0.25-50		<250	21.6-432	15×2	7439
ZK2452	12.6	0.25-50		<250	25.2-504	15×2	8216
ZK2460	14.4	0.25-50		<250	28.8-576	15×2	9235
ZK3045	13.5	0.25-50		<250	27.0-540	15×2	9859
ZK3052	15.75	0.25-50		<250	31.4-628	22×2	9958
ZK3060	18	0.25-50		<250	17.5-525	22×2	11062
ZK3645	16.2	0.25-50		<250	37.8-756	22×2	12289
ZK3652	18.9	0.25-50		<250	43.2-846	22×2	13409
ZK3660	21.6	0.25-50		<250	43.2-846	22×2	14390
ZK3675	27	0.25-50		<250	54.0-1080	30×2	17100
2ZK1022	2.25	0.25-50		<250	4.5-90	4×2	3018
2ZK1230	3.6	0.25-50		<250	7.2-144	5.5×2	3740
2ZK1237	4.5	0.25-50		<250	9.0-180	7.5×2	4460
2ZK1437	5.25	0.25-50		<250	12.0-250	7.5×2	5042
2ZK1445	6.3	0.25-50		<250	12.6-252	15×2	6883
2ZK1637	6	0.25-50		<250	12.0-240	15×2	6919
2ZK1645	7.32	0.25-50		<250	14.4-280	15×2	8654
2ZK1837	6.75	0.25-50		<250	14.4-270	15×2	7951
2ZK1845	8.1	0.25-50		<250	16.2-324	15×2	8116
2ZK1852	9.45	0.25-50		<250	18.9-378	15×2	9061
2ZK2045	9	0.25-50		<250	16.2-324	15×2	9133
2ZK2052	10.5	0.25-50		<250	21.0-420	22×2	10128
2ZK2060	12	0.25-50		<250	24.0-480	22×2	10875
2ZK2445	10.8	0.25-50	<250	21.6-432	22×2	11008	
2ZK2452	12.6	0.25-50	<250	25.2-504	22×2	12757	
2ZK2460	14.4	0.25-50	<250	28.8-576	22×2	13560	
2ZK3045	13.5	0.25-50	<250	27.0-540	30×2	15472	
2ZK3052	15.75	0.25-50	<250	31.4-628	37×2	16942	
2ZK3060	18	0.25-50	<250	17.5-525	37×2	18253	
2ZK3645	16.2	0.25-50	<250	37.8-756	45×2	21042	
2ZK3652	18.9	0.25-50	<250	43.2-846	45×2	24040	
2ZK3660	21.6	0.25-50	<250	43.2-846	45×2	25400	

# YK系列圆振动筛

## YK Series Inclined Vibrating Screen



YK系列圆振动筛是山美股份吸收德国技术制造的高效振动筛。适宜采石场筛分砂石料，也可用于选煤、选矿、建材、电力及化工等行业。

YK Series Inclined Vibrating Screen absorbs German technology, and is special designed to screen the different sizes of aggregate. It is also applied to coal dressing, ore dressing, building material, electric power and chemical industries.

### 特点及优势

- 采用块偏心作为激振力，激振力强。
- 筛机横梁与筛箱采用高强度螺栓联接，无焊接。
- 筛机结构简单，维修方便快捷。
- 采用轮胎联轴器，柔性联接，运转平稳。
- 筛分效率高，处理量大，寿命长。

### Features and Benefits

- High vibrating force with unique eccentric structure.
- The beam and case of the screen are connected with high strength bolts without welding.
- Simple structure, easy maintenance.
- Adopt tire coupling, soft connection makes operation smooth.
- High efficiency, high capacity and durable.

### 技术参数 Technical Data

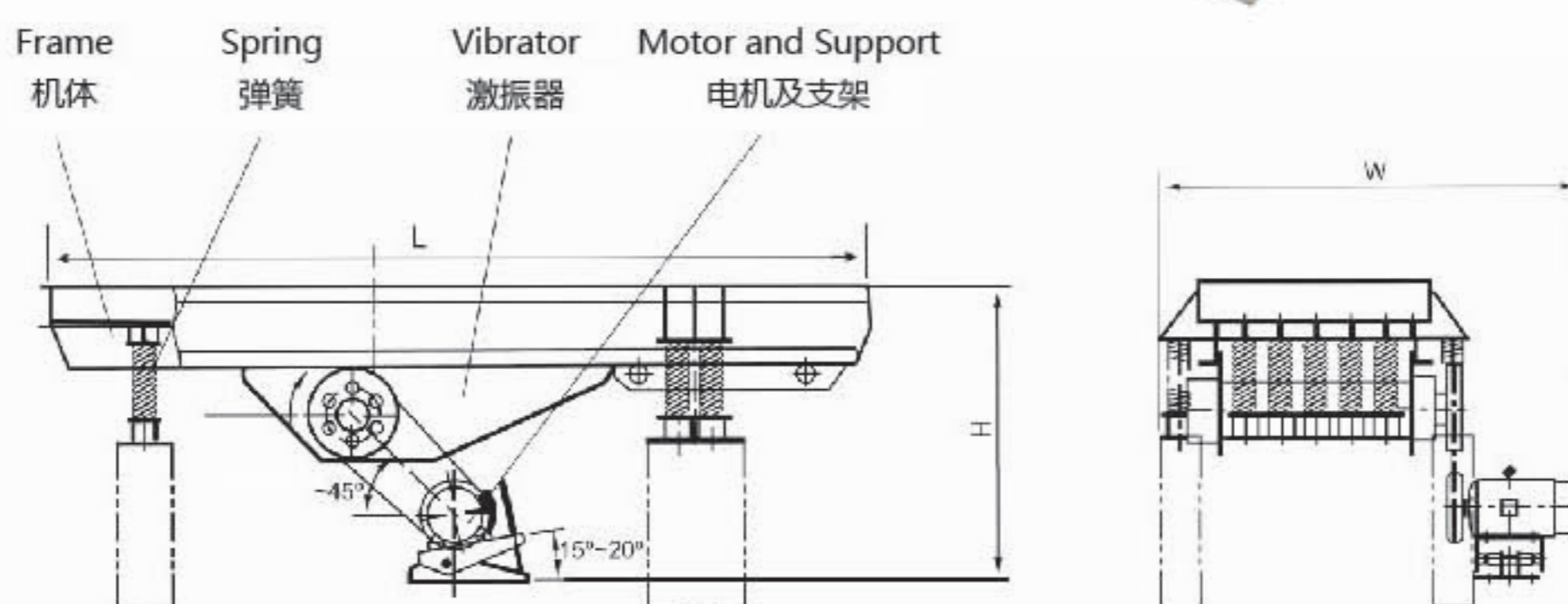
型号 Model	筛网层数 Screen Deck	筛面倾角 Installation Slope(°)	筛网面积 Deck Size (m <sup>2</sup> )	振动频率 Vibrating Frequency(r/min)	双振幅 Double Amplitude (mm)	处理能力 Capacity (t/h)	电机功率 Motor Power (kw)	外型尺寸 Overall Dimensions (L×W×H)(mm)	重量 Weight(kg)
YK1235	1	15	4.2	970	6-8	35-180	5.5	3790×1847×1010	1845
2YK1235	2	15	4.2	970	6-8	40-150	5.5	4299×1868×1290	2982
3YK1235	3	15	4.2	970	6-8	25-270	7.5	4393×1868×1640	3922
4YK1235	4	15	4.2	970	6-8	25-270	11	4500×1967×2040	4821
YK1545	1	17.5	6.75	970	6-8	63-315	11	5030×2200×1278	3362
2YK1545	2	17.5	6.75	970	6-8	200-300	15	5767×2270×1550	5113
3YK1545	3	17.5	6.75	970	6-8	35-378	15	5874×2270×1885	6251
4YK1545	4	17.5	6.75	970	6-8	200-300	18.5	5994×2270×2220	7519
YK1548	1	17.5	7.2	970	6-8	63-315	11	5330×2228×1278	3418
2YK1548	2	17.5	7.2	970	6-8	200-300	15	6067×2270×1557	5266
3YK1548	3	17.5	7.2	970	6-8	35-378	15	5174×2270×1885	6453
4YK1548	4	17.5	7.2	970	6-8	47-275	18.5	6294×2270×2220	7845
YK1860	1	20	10.8	970	6-8	52-567	15	6536×2560×1478	4572
2YK1860	2	20	10.8	970	6-8	200-300	18.5	6826×2570×1510	5808
3YK1860	3	20	10.8	970	6-8	52-567	18.5	7145×2570×1910	7349
4YK1860	4	20	10.8	970	6-8	52-567	22	7246×2660×2244	8809
YK2160	1	20	12.6	970	6-8	200-300	18.5	6535×2860×1468	4940
2YK2160	2	20	12.6	970	6-8	66-720	22	6700×2870×1560	6438
3YK2160	3	20	12.6	970	6-8	66-720	30	7146×2960×1960	8665
4YK2160	4	20	12.6	970	6-8	66-720	30	7254×2960×2205	9933
YK2460	1	20	14.4	970	6-8	200-300	18.5	6535×3210×1468	5496
2YK2460	2	20	14.4	970	6-8	79-864	30	7058×3310×1760	8090
3YK2460	3	20	14.4	840	7-9	79-864	30	7223×3353×2220	11255
4YK2460	4	20	14.4	840	6-8	79-864	30	7343×3893×2445	13400
YK2475	1	20	18	970	6-8	200-300	20	7995×3300×1552	7004
2YK2475	2	20	18	840	6-8	89-864	30	8863×3353×1804	10685
3YK2475	3	20	18	840	6-8	99-1080	37	8854×3353×2220	12727
4YK2475	4	20	18	840	6-8	99-1080	45	8878×3384×2520	15822
2YK2775	2	20	20.25	970	6-8	120-900	30	8863×3653×1804	11000
3YK2775	3	20	20.25	970	6-8	120-900	37	8854×3653×2220	14200
YK3060	1	20	18	840	6-8	99-1080	30	6545×3949×1519	9063
2YK3060	2	20	18	840	6-8	99-1080	37	7282×3990×1919	12617
3YK3060	3	20	18	840	6-8	99-1080	45	7453×4024×2365	15644
4YKD3060	4	20	18	840	6-8	80-860	2×30	7588×4127×2906	22189
YK3075	1	20	22.5	840	6-8	66-720	37	7945×3949×1519	10871
2YK3075	2	20	22.5	840	6-8	99-1080	45	8884×4030×1938	17263
2YKD3075	2	20	22.5	840	6-8	80-860	2×30	8837×4133×1981	20194
3YK3075	3	20	22.5	840	6-8	99-1080	55	9053×4030×2365	18731
3YKD3075	3	20	22.5	840	6-8	100-1080	2×30	9006×4127×2406	21717
2YKD3675	2	20	27	800	7-9	149-1620	2×45	8917×4847×1971	26641
3YKD3675	3	20	27	800	7-9	149-1620	2×45	9146×4847×2611	32856

注：表内所列处理能力是对松散密度为 1.6t/m<sup>3</sup> 的石灰石进行干式分级时的数据。所列处理能力仅供参考。具体值根据现场情况与研发部商定。

**Note:** The processing capacity listed in the table is based on dry classification of limestone, which bulk density is 1.6t/m<sup>3</sup>. The listed capacity is only for reference. The actual data need to be fixed by tech department according to worksite situation.

# ZSW系列振动给料机

## ZSW Series Vibrating Feeder



ZSW系列振动给料机主要用于粗碎破碎机前连续、均匀给料、同时可筛分细料、使破碎机能力增大。

ZSW Series Vibrating Grizzly Feeder is mainly used to feed material into the primary crusher homogeneously and continuously. Meanwhile, it can screen the fine material and make the crusher more powerful.

### 特点及优势

- 振动平稳。
- 特殊栅条设计，可防止物料堵塞。
- 栅条间隙可调。
- 可选装变频调速电机，便于控制给料量，无需频繁启动电机。

### Features and Benefits

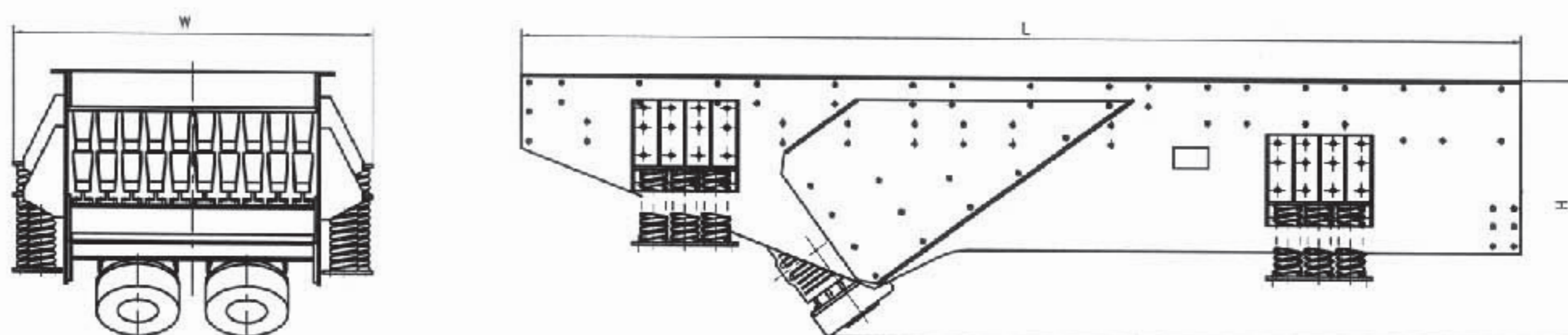
- Smooth vibrating.
- The special fence can prevent the block of raw material.
- The distance between fences is adjustable.
- Frequency conversion motor can be equipped to facilitate feeding control, and frequent startup of motor is avoided.

### 技术参数 Technical Data

型号 Model	最大进料粒度 Max Feed Size(mm)	处理能力 Capacity(t/h)	电机功率 Motor Power(kw)	外型尺寸 Overall Dimensions(L×W×H)(mm)	重量 Weight(kg)	料槽尺寸 Size of Funnel(mm)
ZSW-280×85	450	100-160	7.5	2880×2050×2150	3650	2800×850
ZSW-380×95	500	160-230	11	3880×2175×1957	4647	3800×950
ZSW-490×110	580	200-300	15	4957×2371×2125	5618	4900×1100
ZSW-590×110	600	200-300	22	5957×2467×2151	6465	5900×1100
ZSW-490×130	750	400-560	22	4980×3277×1525	7280	4900×1300
ZSW-600×130	750	400-560	22	6080×3277×1525	8350	6000×1300
ZSW-600×150	1000	500-900	30	6080×3541×1545	9595	6000×1500
ZSW-600×180	1200	700-1200	37	6080×3852×1770	12925	6000×1800
ZSW-600×200	1400	900-1800	45	6080×4094×1810	15094	6000×2000
ZSW-600×240	1400	1500-2000	75	6078×4511×2289	17310	6000×2400

# GZT系列棒条振动给料机

GZT Series Vibrating Feeder



GZT系列棒条振动给料机系消化吸收瑞典技术设计制造，并采用引进日本技术生产的振动电机为激振源。该系列给料机用于粗碎破碎机前大块物料的均匀给料，同时由于棒条筛面的作用，又能除掉泥土等细碎物料，达到预筛分功能，能够提高粗碎能力。特别适用于水电行业，建筑石料，金属矿石等粗碎前的给料用。

GZT Series Vibrating Feeder adopts the vibrating motor to produce vibration force. It is used to feed material into the primary crusher homogeneously, meanwhile because of the bar-shaped screen, it can screen away soil contained in the raw material, increase the capacity of the primary crushing. It is suitable for feeding material into the primary crusher in hydropower field, building material and mining.

## 特点及优势

◎ 该机结构简单，使用维护方便。

## Features and Benefits

◎ Simple structure and reliable operation.

## 技术参数 Technical Data

型号 Model	最大进料粒度 Max Feed Size(mm)	处理能力 Capacity(t/h)	电机功率 Motor Power(kw)	棒条倾角 Installation Slope(°)	双振幅 Double Amplitude(mm)	外型尺寸 Overall Dimensions(LxWxH)(mm)	重量 Weight(kg)
GZT-0724	450	30-80	2×1.5	10	4-6	2481×1130×1037	1023
GZT-0932	560	80-150	2×2.2	10	4-8	3298×1512×1141	2248
GZT-0940	560	80-180	2×3.7	10	4-8	4100×1818×1134	3700
GZT-1148	600	150-300	2×5.5	10	4-8	4926×1676×1479	4892
GZT-1256	800	180-400	2×12	10	4-8	5704×1840×1707	6764
GZT-1560	1000	400-600	2×13	10	4-8	6126×2208×1588	9185

# GZG系列振动给料机

## GZG Series Vibrating Feeder



GZG系列振动给料机广泛应用于矿山、冶金、煤炭、建材、机械等各行各业中，用于把块状、颗粒状及粉状物料从贮仓或漏斗中均匀连续或定量地给到受料装置中去。

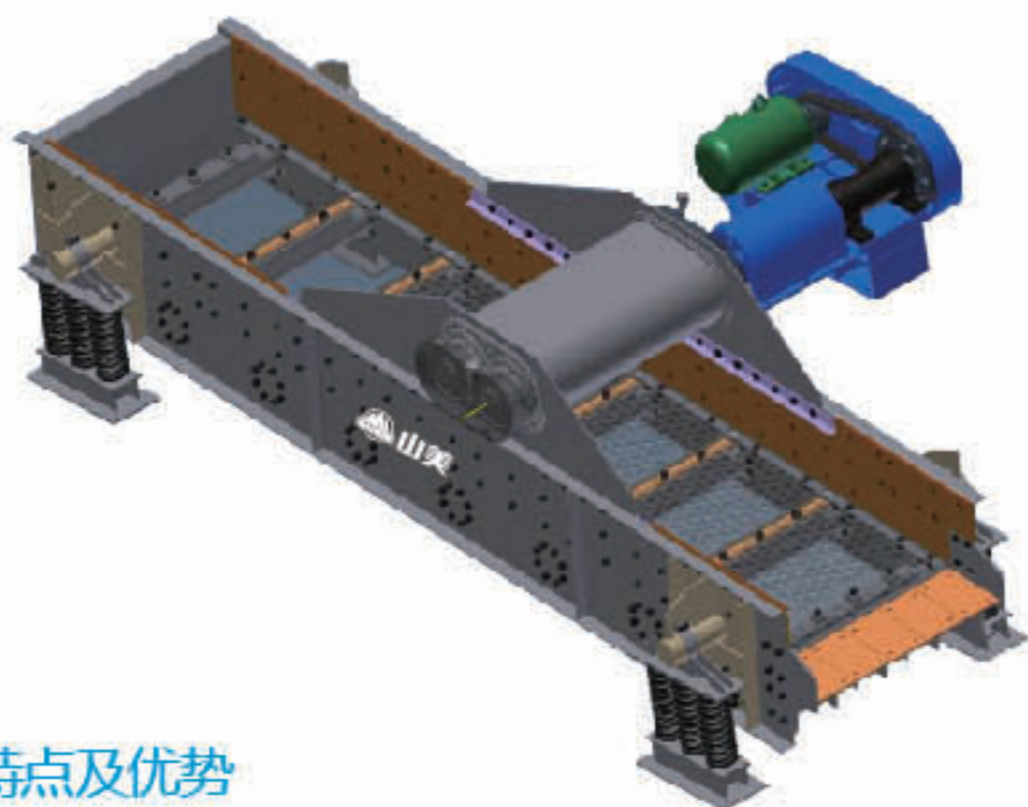
GZG Series Vibrating Feeder is used to convey bulk, grainy and powdery materials continuously and evenly from stock bin to targeted equipment. They are widely applied in fields such as minerals processing, coal, building materials, etc.

### 技术参数 Technical Data

型号 Model	最大给料粒度 Max Feed Size (mm)	振动速度 Vibrating Speed (r/min)	双振幅 Double Amplitude (mm)	通过量 Capacity(t/h)		电机功率 Motor Power (kw)	料槽尺寸 Size of Funnel (mm)	外形尺寸 Overall Dimension (mm)	重量 Weight(kg)
				水平 Horizontal	-10°				
GZG40-4	100	1450	4	30	40	2×0.25	400×1000×200	1337×750×600	171
GZG50-4	150	1450	4	60	85	2×0.25	500×1000×200	1374×800×630	202
GZG63-4	200	1450	4	110	150	2×0.50	630×1250×250	1648×1000×767	379
GZG70-4	200	1450	4	120	170	2×0.50	700×1290×250	1548×1010×787	389
GZG80-4	250	1450	4	160	230	2×0.75	800×1500×250	1910×1188×850	563
GZG90-4	250	1450	4	180	250	2×0.75	900×1483×250	2003×1178×960	613
GZG100-4	300	1450	4	270	380	2×1.1	1000×1750×250	2190×1362×900	762
GZG110-4	300	1450	4	300	420	2×1.1	1100×1673×250	2151×1362×970	854
GZG125-4	350	1450	4	460	650	2×1.5	1250×2000×315	2540×1500×1030	1099
GZG130-4	350	1450	4	480	670	2×1.5	1300×2040×300	2544×1556×1084	1117
GZG150-6	350	975	4-7	520	750	2×3.0	1500×1800×400	2250×1864×1412	1441
GZG160-4	500	1450	4	770	1100	2×2.25	1600×2500×315	3050×1850×1110	1555
GZG180-4	500	1450	3	900	1200	2×2.25	1800×2325×375	2885×2210×1260	2350
GZG200-4	500	1450	2.5	1000	1400	2×2.25	2000×3000×400	3490×2400×1220	2705

# ZSWF系列重型给料筛

## ZSWF Series Heavy Feeding Screen



### 特点及优势

- 安装空间小。
- 处理能力大。
- 钢板网筛面。
- 振幅稳定，运行可靠。

### 技术参数 Technical Data

型号 Model	最大进料粒度 Max Feed Size(mm)	处理能力 Capacity(t/h)	电机功率 Motor Power(kw)	外型尺寸 Overall Dimensions(L×W×H)(mm)	重量 Weight(kg)	料槽尺寸 Size of Funnel(mm)
ZSWF6030	400	400-560	22	6223×3280×1999	7766	6000×1300
ZSWF6050	450	400-560	30	6223×3560×1910	8723	6000×1500

ZSWF系列重型给料筛是山美自主研发筛分给料设备。

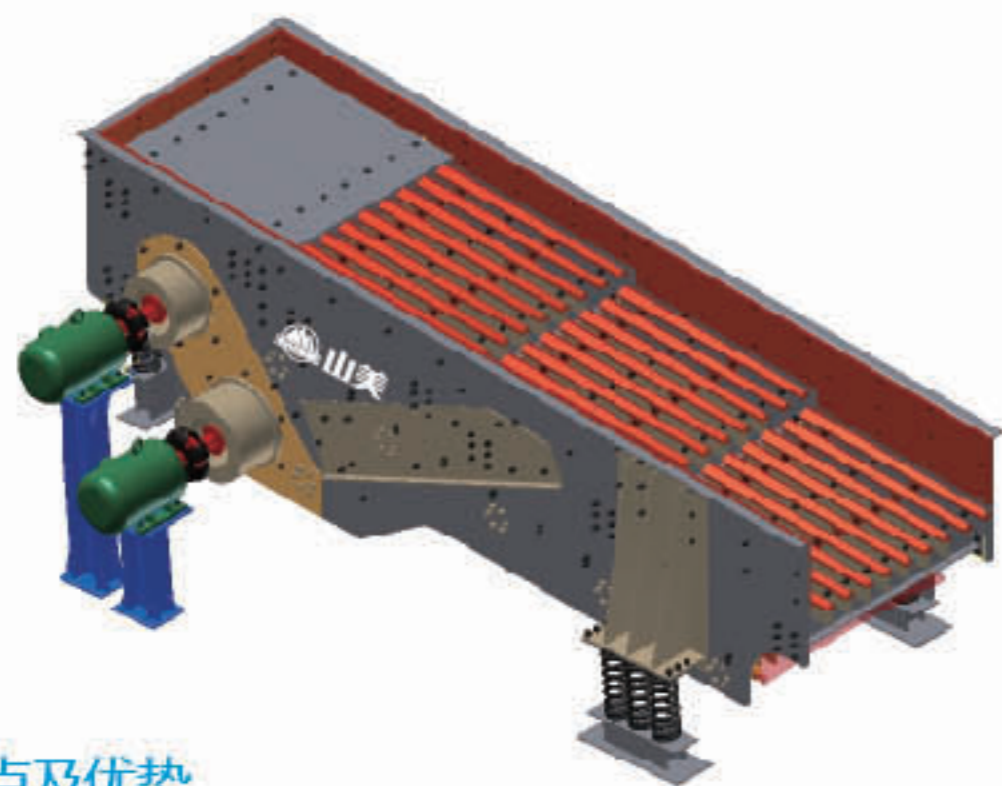
ZSWF series heavy feeding screen is the screening and feeding equipment that independently developed by SANME.

### Features and Benefits

- Small installation space.
- High processing capacity.
- Screen mesh is made of steel plate mesh.
- Stable amplitude and reliable operation.

# ZSFA系列重型给料筛

## ZSFA Series Heavy Feeding Screen



### 特点及优势

- 可调节的棒条间距和振幅。
- 安装空间小。
- 处理能力大。
- 电动机通过万向联轴器直接驱动激振器。
- 棒条下可以选配筛网，以筛分出需要的细料。
- 设备在远超共振状态下工作，振幅稳定，运行可靠，物料适应性强。

### 技术参数 Technical Data

型号 Model	电机功率 Motor Power(kw)	进料粒度 Feeding Size(mm)	通过量 Capacity(t/h)	重量 Weight(kg)
ZSFA6013	2x15	750	400-560	11000
ZSFA6015	2x18.5	1000	460-660	12000
ZSFA6020	2x22	1400	600-1000	14000

ZSFA系列重型给料筛是山美自主研发筛分给料设备。

ZSFA series heavy feeding screen is the screening and feeding equipment that independently developed by SANME.

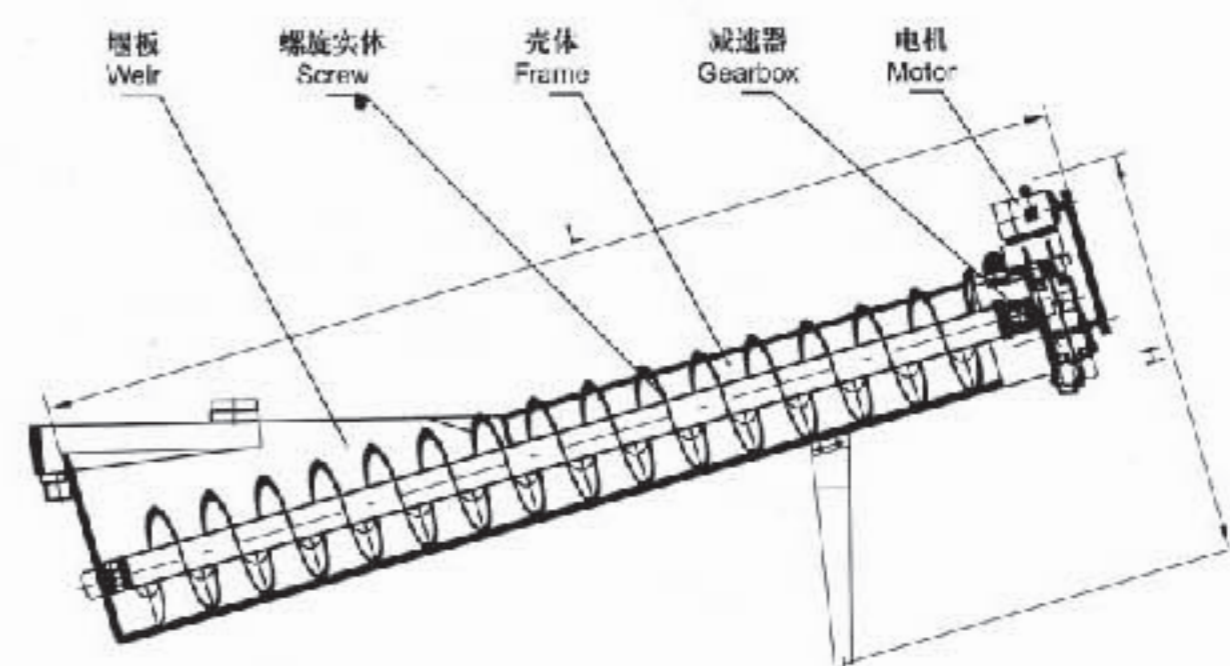
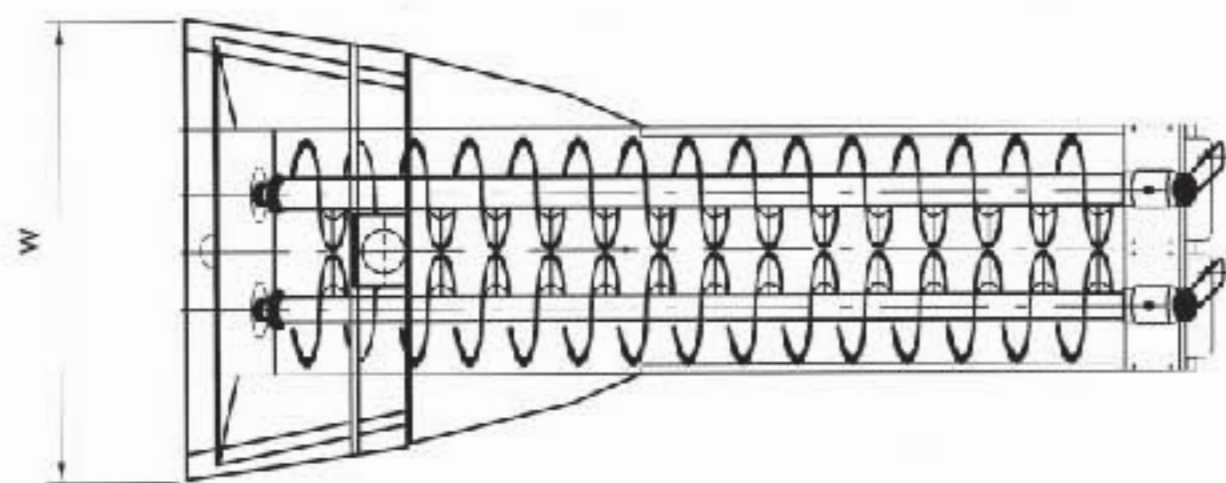
### Features and Benefits

- Adjustable bar spacing and amplitude.
- Small installation space.
- High processing capacity.
- Motor directly drives.
- Screen mesh can be optionally selected under the bar so as to screen the needed fine materials.
- Stable amplitude, reliable operation and strong material adaptability.



# XL系列洗砂机

XL Series Sand Washer



XL洗砂机可清洗分离砂石中的泥土和杂物，其新颖的密封结构、可调溢流堰板、可靠的传动装置确保清洗脱水的效果，适用于公路、水电、建筑等行业。

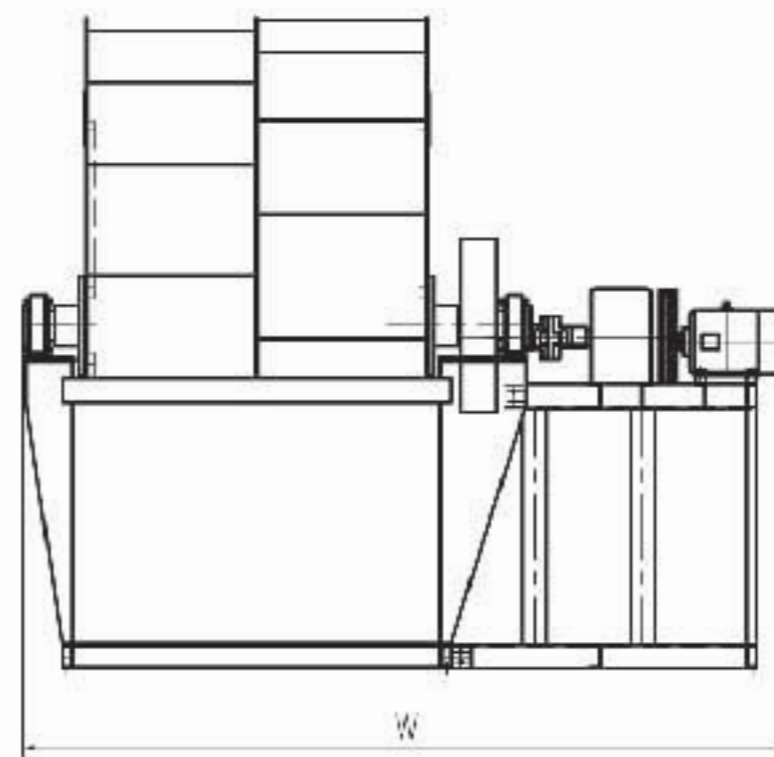
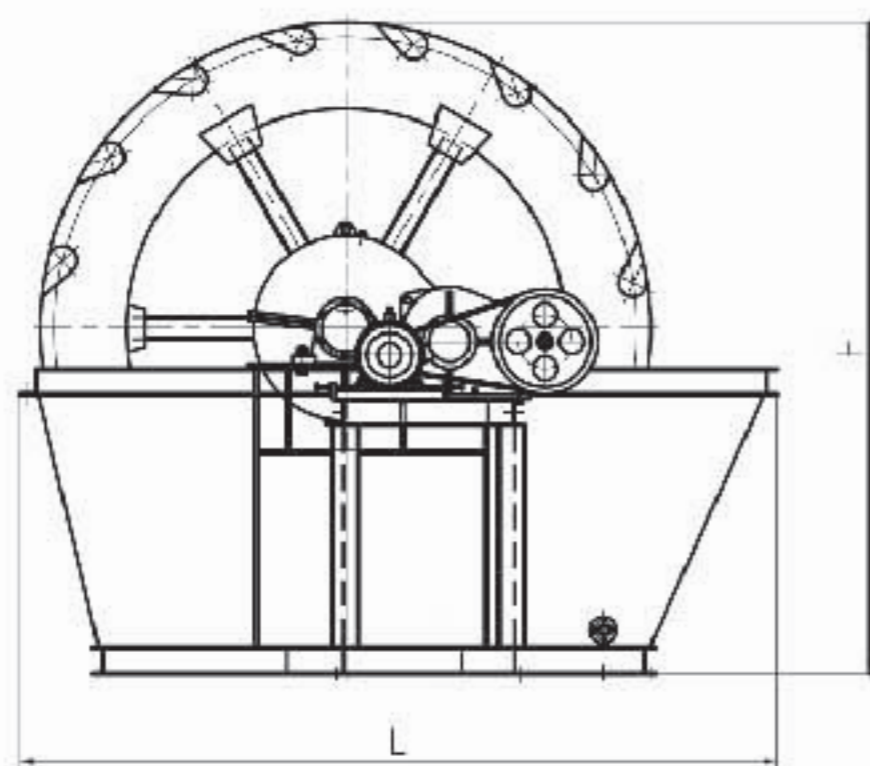
XL Series Sand Washer can wash and separate the soil and foreign material in the sand. Its novel structure, adjustable overflow dam baffle and reliable arrangement can make sure the result of wash.

## 技术参数 Technical Data

型号 Model	XL508	XL610	XL762	XL915	2XL915	XL1115	2XL1115
螺旋直径 Screw Diameter(mm)	508	610	762	915	915	1115	1115
槽体长度 Length of Tub(mm)	6705	7225	7620	7585	7585	9782	9782
最大入料粒度 Max Feed Size(mm)	≤10	≤10	≤10	≤10	≤10	≤10	≤10
生产能力 Capacity(t/h)	20	40-50	50-75	100	200	175	350
螺旋转速 Speed of Screw(r/min)	38	32	26	21	21	17	17
电机功率 Motor Power(kw)	5.5	7.5	11	11	2×11	15	2×15
耗水量 Water Consumption(t/h)	6-60	6-63	9-63	10-80	20-160	20-150	40-300
外型尺寸 Overall Dimensions (L×W×H)(mm)	8000×2343×1430	8000×2050×1400	8545×2650×3862	8500×2810×3600	8420×3765×3960	10970×3945×4720	10970×5250×4720
重量 Weight(t)	3.20	3.80	5.23	6.27	11.11	10.18	17.94

# XS系列洗砂机

XS Series Sand Washer



XS系列洗砂机是一种轮斗式洗选设备，主要用于建筑砂石料等的洗选脱水。

XS Series Sand Washer is a bucket-typed sand washer, mainly used in washing and dewater sand.

## 特点及优势

- 结构简单，维修便利。
- 处理量大，功率消耗低。
- 易损件消耗少，使用成本低。

## Features and Benefits

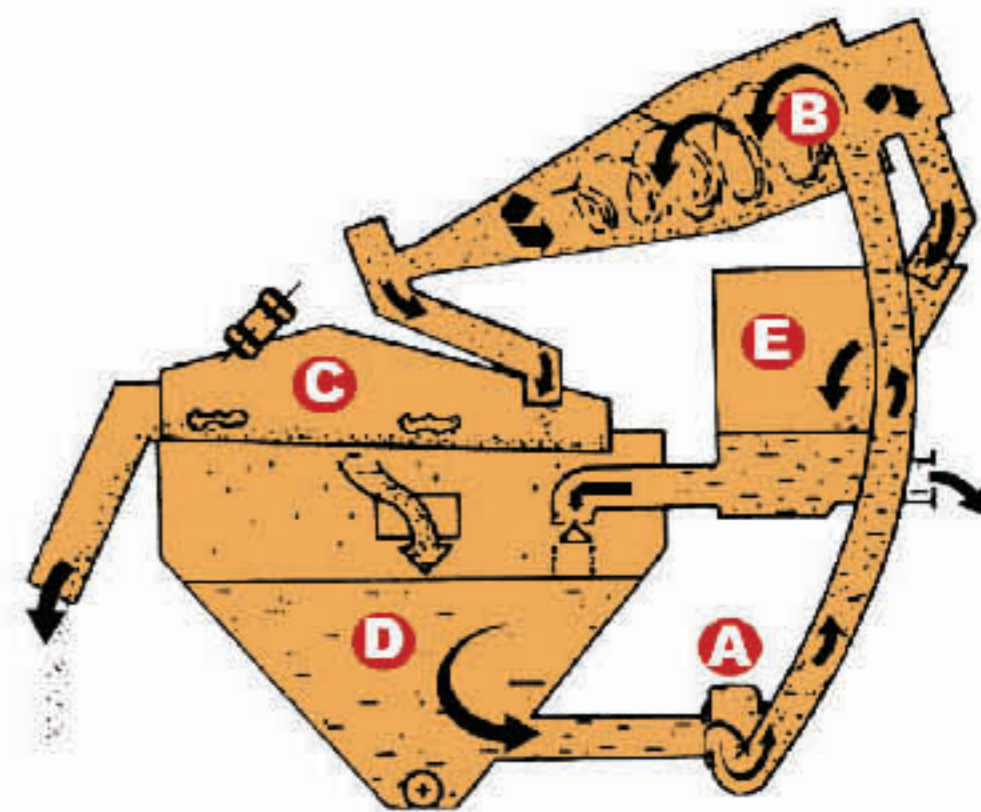
- Simple structure, convenient to repair.
- High processing capacity and low power consumption.
- Low wear-parts consumption, low cost.

## 技术参数 Technical Data

型号 Model	XS2600	XS2600 II	XS2800	XS3200	XS3600
轮斗直径 Diameter of The Wheel Bucket(mm)	2600	2600	2800	3200	3600
转速 Rotation Rater(r/min)	2.5	2.5	1.2	1	1
最大入料粒度 Maximum Feeding Size(mm)	≤10	≤10	≤10	≤10	≤10
处理量 Processing Capacity(t/h)	20-50	30-70	50-100	80-120	120-180
电机功率 Motor Power(kw)	5.5	5.5	7.5	11	15
外型尺寸 Overall Dimensions(LxWxH)(mm)	3515×2070×2672	3515×2270×2672	3900×3300×2990	3965×4440×3410	4355×4505×3810
重量 Weight(kg)	2500	2900	3980	7270	9430

# SS系列细砂回收系统

SS Series Fine Sand Recovery System



- A 渣浆泵 Pump
- B 旋流器 Cyclone
- C ZKR 直线振动筛 Vibrating Screen
- D 清洗槽 Pool
- E 返料箱 Recycling Box

采用湿法生产工艺的人工砂生产线，不论采用何种形式的洗砂机，其主要的缺点是细砂(0.16mm 以下颗粒)流失严重，有的甚至流失 20% 以上，这不但损失产量，而且还严重影响砂子的级配，造成级配不合理，细度模数偏粗，大大降低了机制砂的产品质量。过多的细砂排放，还会造成环境的污染。

为解决上述问题，我公司成功研制了 SS 系列细砂回收系统，该系统是本公司吸收国外的技术，结合我国实际情况而设计的专业的细料回收装置，广泛应用于水电站砂石骨料加工系统、玻璃原料加工系统、人工砂生产线、选煤厂粗煤泥的回收及环保工程(泥浆净化等)等，可有效的解决细砂回收问题。

The Production line of manufactured sand, which utilizing a wet production technics, regardless adopting any style of the sand washer, its weakness is that the fine sand( $\leq 0.16\text{mm}$ ) runs off seriously, some even run off 20% above, this not only decrease the yield, but also seriously influence the sand gradation, which results in the gradation being not reasonable, the fineness module being partial to thick and largely lowering the product quality of the manufactured sand. Too many fine sands are exhausted will also result in the pollution of the environment.

In order to solve the above questions, we develop and manufacture the SS series sand collecting system. They are utilized widely in aggregate processing system, the processing system of glass raw material, the production line of manufactured sand, and so on, they can solve the fine sand recovery questions.

## 技术参数 Technical Data

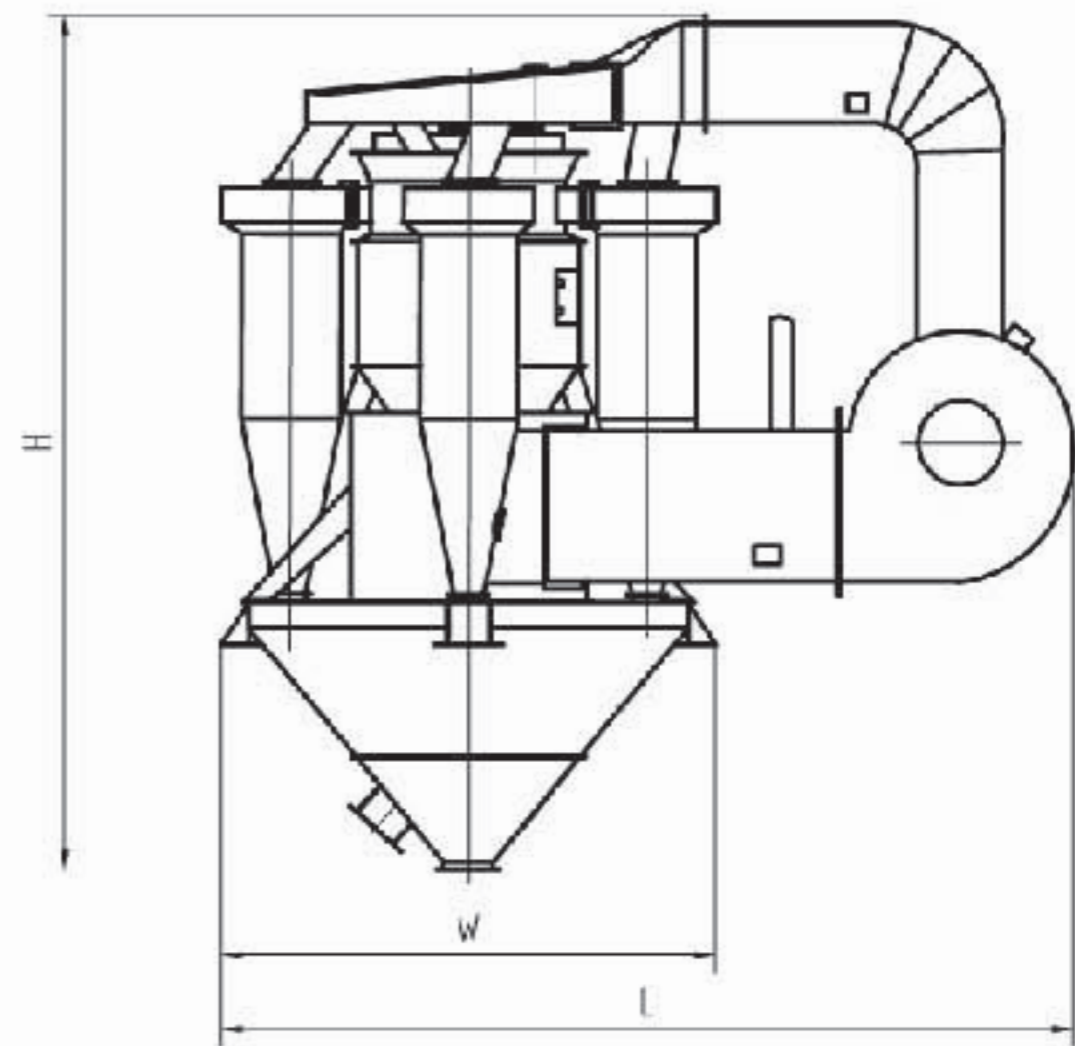
型号 Model	泵 Pump		旋流器规格 Cyclone (mm)	脱水筛 Vibrating Screen			处理量 Capacity(t/h)	重量 Weight(t)	外型尺寸 Dimensions (LxWxH)(mm)
	功率 Power(kw)	尺寸 Size(inch)		型号 Model	面积 Deck Size(m <sup>2</sup> )	功率 Power(kw)			
SS-06-300	7.5	2"	300	0.6x1.5	0.9	2x0.75	64-96	3.70	3590x1342x2561
SS-08-300	15	3"	300	0.8x2.25	1.8	2x1.5	64-160	4.20	4565x1402x2947
SS-10-350	18.5	4"	350	1.0x2.25	2.25	2x1.5	112-224	4.60	4636x1582x3332
SS-12-550	37	5"	550	1.2x3.0	3.6	2x2.2	160-416	7.10	6009x2014x3820
SS-14-750	37	6"	750	1.4x3.0	4.2	2x3.7	288-548	8.31	6013x2042x4300
SS-14-750II	45	6"	750	1.4x3.0	4.2	2x5.5	368-672	8.95	6659x2042x4202
SS-16-2x550	55	10"	2x550	1.6x3.75	6.0	2x5.5	480-800	16.70	7384x2350x4650
SS-18-2x750	75	10"	2x750	1.8x3.75	6.75	2x7.5	560-1280	19.70	7780x2545x4800

注：最大进料粒度 $\leq 5\text{mm}$

**Note:** Max Feed Size  $\leq 5\text{mm}$

# CXFL系列粗细粉分离机

CXFL Series Powder Separator



CXFL系列粗细粉分离机是参照美国技术而研制的，专门用于机制砂干法生产工艺中超标石粉的分离，可以非常方便地控制机制砂中石粉的含量，以满足客户的不同要求。

The CXFL Series Powder Separator is based on American technology. It is an ideal equipment to separate powder from manufactured sand by dry production technics. It is very easy to control the powder ingredient of manufactured sand and meet different requirements of the clients.

## 技术参数 Technical Data

型号 Model	主轴转速 Major Axis Speed(r/min)	生产能力 Capacity(t/h)	主轴电机功率 Motor Power(kw)	风机电机功率 Motor Fan Motor Power(kw)
CXFL-2000	190-380	20-35	11	30
CXFL-3000	150-350	30-45	15	37
CXFL-3500	130-320	45-55	18.5	55
CXFL-4000	120-280	55-75	30	90
CXFL-5000	120-280	75-100	55	132

# SMFX系列高效复合式砂石选粉机

SMFX Series Compound Aggregate Separator



## 特点及优势

- 采用S型动叶片及鱼钩型导流叶片低阻专利技术，增强了对物料的分级能力，降低了运行阻力。
- 合理调整了选粉区与提升区的部位，提高了选粉效率。
- 采用了新型高效低阻旋风筒，减少气流阻力，提高微粉收集能力。
- 分级机转笼转速可以进行无极调速，对产品细度调解更加方便。
- 重点部位采用耐磨材料防护处理，延长了主机使用寿命。
- 采用了可拆卸笼形转子叶片结构，大大节省了维护时间和维护难度。
- 粗粉管和细粉管采用双联锁风阀，大大地降低了漏风率，克服了以前分级机运转过程中扬尘大的缺点。
- 采用多组可调角度的调风阀或导流板控制选粉截面的气流分布，使之更加合理，增加了选粉机对颗粒的有效分选机会。

## Features and Benefits

- The patented technologies of S-type movable blade and fishhook-type guide vanes with low resistance enhance materials classification and reduce the operating resistance.
- Reasonably adjust the location of classification and lifting to raise the efficiency of classification
- The new type of cyclone with high efficiency and low resistance is adopted to reduce the air resistance and increase the collection of fine powder.
- The rotating speed of the classifier rotor can be steplessly adjusted, which is more convenient to adjust the fineness.
- The key parts are protected by wear-resistant materials to prolong the life of the main machine.
- The adoption of the structure of removable cage-like rotor blade greatly helps to reduce the time and difficulty of maintenance.
- Both coarse powder tube and fine power tube adopt duplicate air lock to reduce the air leakage rate and overcome the shortcomings of dust emission in the operation of previous classifier
- The adoption of many adjustable angle wind regulator or baffles to control the airflow of the cross section of airflow distribution makes it more reasonable and thus increases the effective classification of the particles.

## 技术参数 Technical Data

型号 Model	处理量 Capacity(t/h)	风量 Air Flow(m <sup>3</sup> /h)	阻力 Resistance(KPa)
SMFX150	105-150	35000-45000	3.0-3.7
SMFX250	180-240	50000-60000	3.0-3.7
SMFX300	270-300	75000-85000	3.0-3.7
SMFX350	300-360	85000-95000	3.0-3.7
SMFX400	350-400	90000-120000	3.0-3.7
SMFX500	400-500	120000-150000	3.0-3.7
SMFX600	500-560	140000-160000	3.0-3.7

# RCYB系列悬挂式永磁除铁器

## RCYB Series Manual-Cleaning Permanent Magnetic Separator

### 适用范围

适用于皮带输送机、振动给料机、下料溜槽上的非磁性物料中除铁。

### Applicable scope

Removal of iron in non-magnetic materials on belt conveyor, vibrating feeder and blanking chute.



### 技术参数 Technical Data

型号 Model	适应宽度 Adaptive Width(mm)	悬挂高度 Suspension Height(mm)	适应带速 Belt Velocity(m/s)	物料厚度 Material Thickness(mm)	重量 Weight(kg)	外型尺寸 Overall Dimensions(L×W×H)(mm)
RCYB-5	500	150	4.5	90	206	500x350x260
RCYB-6.5	650	200	4.5	150	450	650x600x300
RCYB-8	800	250	4.5	200	680	950x950x380
RCYB-10	1000	300	4.5	250	1180	1100x1000x380
RCYB-12	1200	350	4.5	300	1670	1300x1340x420
RCYB-14	1400	400	4.5	350	2350	1500x1500x420

# RCYD系列永磁自卸式除铁器

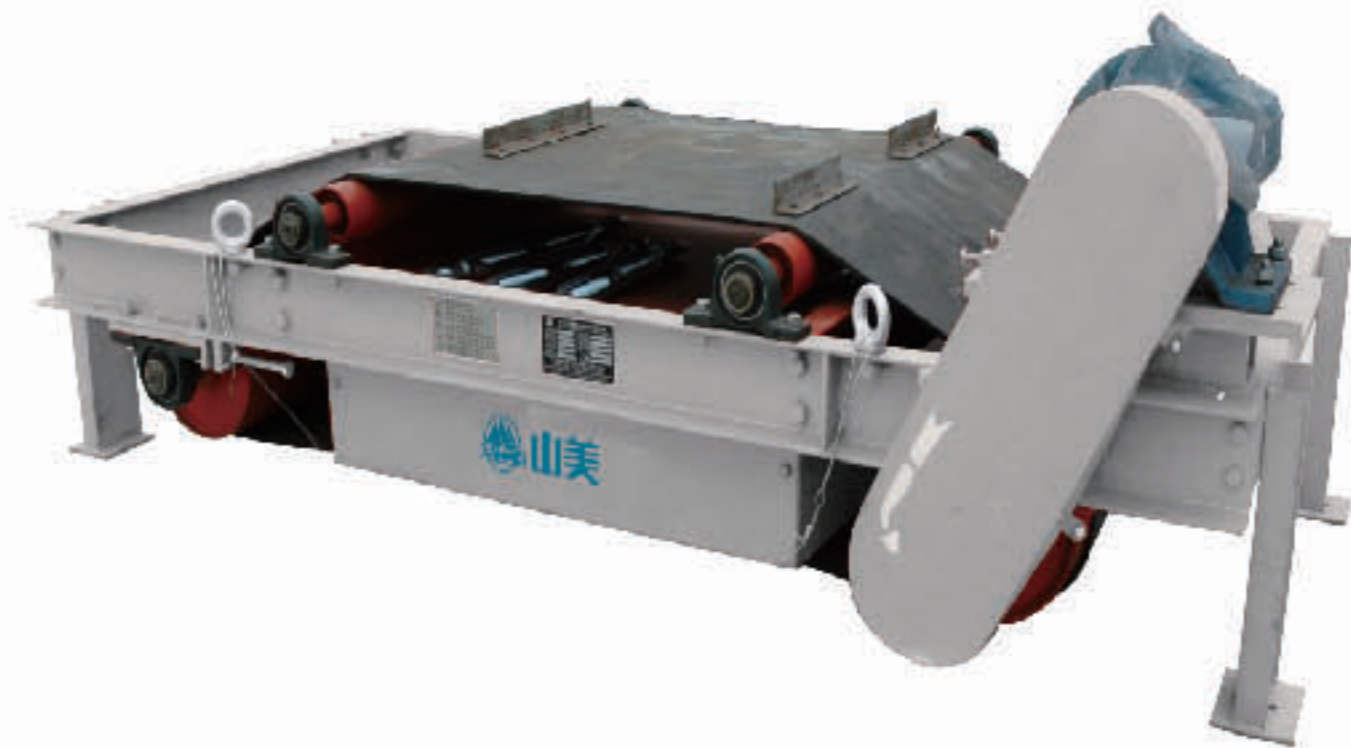
## RCYD Series Belt Permanent Magnetic Separator

### 适用范围

本机与各种皮带输送机、振动给料机等配套使用，可用于从运动的物料中自动吸除 0.1-35kg 的铁磁性物质。广泛应用于水泥、冶金、矿山、玻璃、煤炭等行业。

### Applicable scope

It is used together with belt conveyor, vibrating feeder, etc; applicable to automatic removal of 0.1-35kg ferro-magnetic materials from moving materials, and extensively applied in cement, metallurgy, mine, glass, coal and other industries.



### 技术参数 Technical Data

型号 Model	适应宽度 Adaptive Width(mm)	额定吊高 Suspension Height(mm)	磁场强度 Magnetic Intensity(mT)	物料厚度 Material Thickness(mm)	电机功率 Motor Power(kw)	适应带速 Belt Velocity(m/s)	重量 Weight(kg)	外型尺寸 Overall Dimensions(L×W×H)(mm)
RCYD-5	500	150	60	80	1.5	4.5	750	1900x735x935
RCYD-6.5	650	200	70	150	2.2	4.5	1200	2165x780x1080
RCYD-8	800	250	70	200	2.2	4.5	1400	2350x796x1280
RCYD-10	1000	300	70	250	3.0	4.5	2120	2660x920x1550
RCYD-12	1200	350	70	300	4.0	4.5	3350	2900x970x1720
RCYD-14	1400	400	70	350	4.0	4.5	4450	3225x1050x1980

# SMW系列轻飘物分离机

SMW Series Floating Material Separator



SMW系列强力风选机是山美自主研发、专门用于建筑垃圾领域。主要功能是清除建筑垃圾中的碎木屑、塑料片、碎布、织物、橡胶等轻物质杂质。

该风选机，结构简单，维修方便，分离效果高；在结构上采用内循环风设计，无污染；双风机设计，风力更强劲，风机采用变频电机，风力可调，更显节能，可控性高。

SMW series high-powered air separator is independently developed by SANME and specifically applied in construction waste recycling. Its main function is to remove the debris, plastic, cloth, fabric, rubber and other light materials in construction waste.

The air separator has the characteristics of simple structure, convenient maintenance, and high separation efficiency. The adoption of inner circulation in structure results in zero pollution. The design of double-fan makes the wind stronger. The adoption of frequency conversion motor makes the wind adjustable, efficient, and controllable.

## 技术参数 Technical Data

型号 Model	电机功率 Motor Power(kw)	风量 Air Flow(m <sup>3</sup> /h)	进料粒度 Feeding Size(mm)	通过量 Throughput(t/h)	外形尺寸 Overall Dimensions(LxWxH)(mm)	重量 Weight(kg)
SMW-5	2x11	10800-23400	≤150	≤150	5995x2662x3200	4924

# LS系列轻物质分离器

LS Series Light Material Separator

LS系列轻物质分离器是将破碎后物料中的轻物质（如：纸屑、塑料、木屑、布条等）与骨料分离的一种装置，能有效的减少骨料中杂质的含量，广泛用于建筑垃圾破碎后骨料中轻物质的分离。

LS series light material separator is a device to separate light materials (such as paper, plastic, wood, cloth strips, etc) with aggregates after crushing. It can effectively reduce the impurities in the aggregates and is widely used in the light material separating after construction waste recycling.

## 技术参数 Technical Data

型号 Model	轻物质边长范围 Side Length Scope of the Light Material(mm)	物料处理能力 Capacity(t/h)	外形尺寸 Overall Dimensions(LxWxH)(mm)	电机功率 Motor Power(kw)	重量 Weight(kg)
LS1120	5-25	10-100	2980x2210x4470	2x4	3420
LS2225	25-50	10-100	2980x2210x4470	2x5.5	3453
LS2132	50-80	10-100	2980x2210x4470	2x5.5	3498
LS3136	80-120	10-100	2980x2210x4470	2x7.5	3560

# BHF系列带式浮选机

BHF Series Belt Floater



水浮选出的轻物质  
Light materials after floating

水浮选后的再生骨料  
Recycled products after floating

BHF系列带式浮选机使用水浮选技术，对破碎后的建筑废弃物物料进行处理，将物料中的轻物质（如：纸屑、塑料、木屑、布条等）与骨料分离。

BHF series belt flotater uses water flotation technology to process the crushed construction waste materials and separate the light materials (such as paper, plastics, wood, cloth strips, etc.) from the aggregates.

## 特点及优势

- 采用模块化设计，安装方便，维修简单。
- 可以满足现场不稳定的料流。
- 可以节约现场的安装空间。
- 增强物料的沥水效果，节约用水。
- 输送机不会撒料。
- 出料口方便清淤。

## Features and Benefits

- Modular design makes it easy to install and maintain.
- Fit the unstable material flow.
- Save the installation space on site.
- Enhances the drainage effect of the material and saves water.
- Ensures no material be spilled on both sides of conveyor.
- Flap valve to help silt removal.

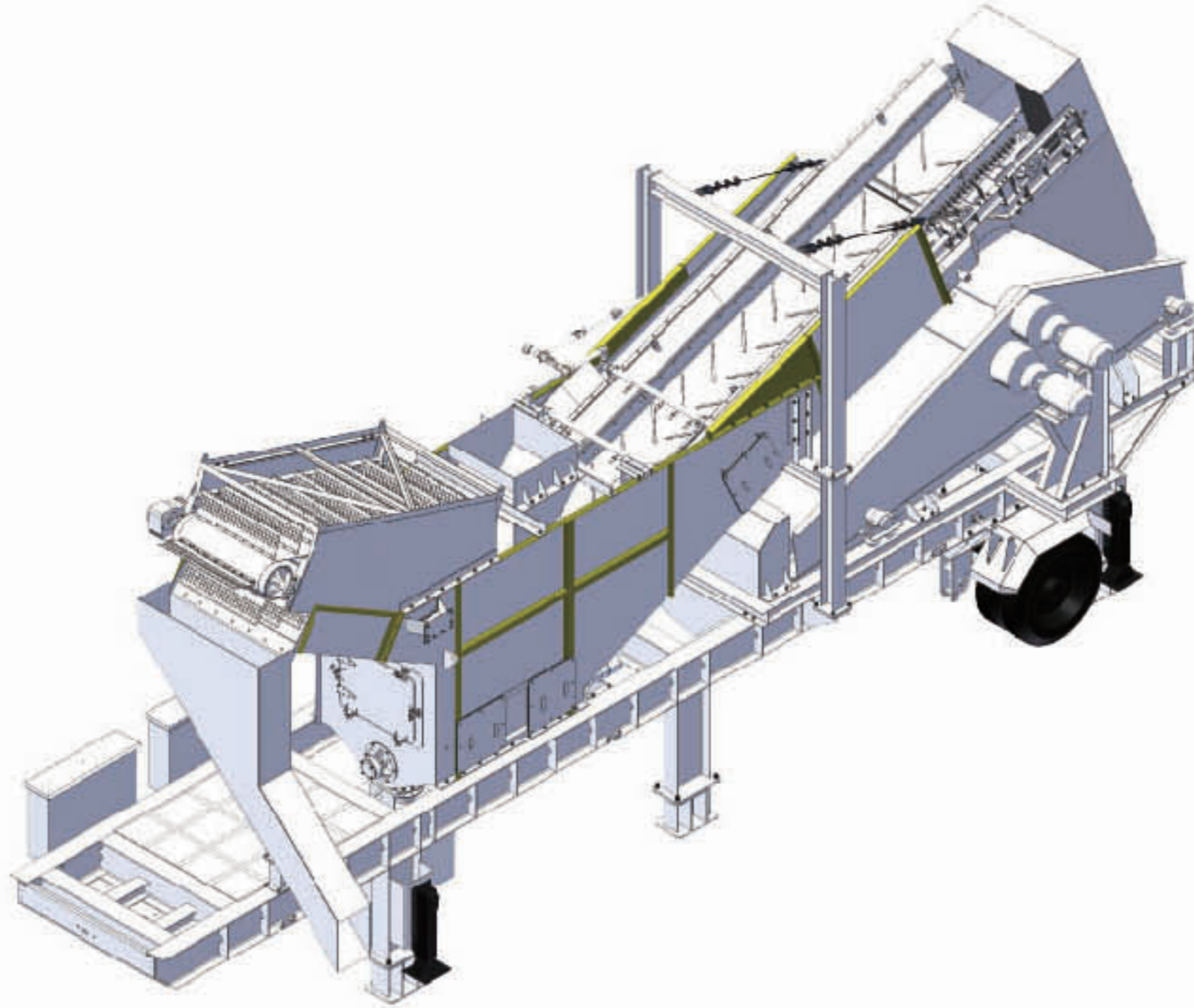
## 技术参数 Technical Data

型号 Model	线速度 Linear Velocity(m/s)		处理能力 Capacity(t/h)	耗水量 Water Consumption (m <sup>3</sup> /h)	功率 Motor Power(kw)				重量 Weight(kg)
	输送皮带机 Belt Conveyor	刮板除杂皮带机 Belt Conveyor with Scraper to Remove Impurity			输送皮带机 Belt Conveyor	刮板除杂皮带机 Belt Conveyor with Scraper to Remove Impurity	旋转清扫器 Rotary Sweeper	排泥螺旋绞刀 Spiral Reamer to Discharge Sludge	
BHF10	0.3~0.8	0.25	90-150	10-18	7.5	1.5	0.75	5.5	8236
BHF14	0.3~0.8	0.25	180-300	20-35	11	1.5	0.75	5.5	11087
BHF16	0.3~0.8	0.25	245-400	30-50	15	1.5	0.75	5.5	12164



# PPHF系列移动式带式浮选机

PPHF Series Portable Belt Flotater



将水浮选安装在车架上，将固定式水浮选变成移动式水浮选，既可以实现水浮选在厂区内移动，也可以方便匹配移动式生产线。

Water floatation machine is installed on the frame so as to turn the stationary water floatation machine into the mobile water floatation plant, which can realize the movement of water floatation within the factory and match the mobile production plant.

## 技术参数 Technical Data

型号 Model	处理能力 Capacity(t/h)	耗水量 Water Consumption (m <sup>3</sup> /h)	功率 Motor Power(kw)		重量 Weight(kg)
			带式浮选机 Belt Floater BHF10	脱水筛 Dewatering Screen ZK1645	
PPFH10	90-150	10-18	15.25	15	20756

# DMC、HDMC系列单机袋式除尘器

DMC, HDMC Series Single-machine Bag Filter



DMC、HDMC 系列单机袋式除尘器是在“JetPulse”（射流 - 脉冲）袋除尘器的基础上，设计出的又一新型单机袋式除尘器。该除尘器特别适用于分散的小风量的扬尘点除尘，选型和工艺布置比较简单。

DMC(HDMC) series single-machine bag filter is the new developed type based on the “JetPulse” bag filter. This bag filter is especially suitable to remove dust from dispersed and small air volume dust emission points with the relatively simple model selection and process layout.

## DMC 系列单机袋式除尘器技术参数 Technical Data of DMC series single-machine bag filter

型号 Model	DMC-32		DMC-48		DMC-64		DMC-96		DMC-112		DMC-120		
额定风量 Rated Air Flow(m <sup>3</sup> /h)	2000-2800		3000-4000		4500-5000		5500-6500		6500-8000		7500-8500		
收尘面积 Collection Area(m <sup>2</sup> )	26		38		52		76		90		96		
过滤风速 Filtration Celocity(m/min)	1.5		1.5		1.6		1.4		1.5		1.4		
袋子数量 Bag Quantity	32		48		64		96		112		120		
脉冲阀数量 Pulse Valves Quantity	4		6		8		12		14		15		
压缩空气 Compressed Air	压力 Pressure(MPa)												
	耗气量 Air Consumption(Nm <sup>3</sup> /min)		0.15		0.2		0.25		0.25		0.31		0.35
脉冲阀规格 Pulse Valves Specifications	1"												
风机型号 Fan Type	4-72 №	4-72 №	4-72 №	4-68 № 4A 4kw						4-72 №	4-68 №	4-68 № 4.5A 7.5kw	
	3.2A	3.6A	3.6A							4A	4.5A		
	2.2kw	3kw	3kw							5.5kw	7.5kw		
重量 Weight(kg)	A	B	A	B	A	B	A	B	A	B	A	B	
	530	850	760	1300	1000	1600	1100	1900	1150	2100	1700	2700	

## HDMC 系列单机袋式除尘器技术参数 Technical Data of HDMC series single-machine bag filter

型号 Model	HDMC-32		HDMC-48		HDMC-64		HDMC-80		HDMC-96		HDMC-112		
额定风量 Rated Air Flow(m <sup>3</sup> /h)	1500-2400		2500-3500		3500-5000		4500-6000		5500-7000		6500-8500		
收尘面积 Collection Area(m <sup>2</sup> )	26		38		52		76		90		96		
过滤风速 Filtration Celocity(m/min)	1.0-1.6		1.1-1.6		1.2-1.6		1.2-1.6		1.2-1.6		1.2-1.6		
袋子数量 Bag Quantity	32		48		64		80		96		112		
脉冲阀数量 Pulse Valves Quantity	4		6		8		12		14		15		
压缩空气 Compressed Air	压力 Pressure(MPa)												
	耗气量 Air Consumption(Nm <sup>3</sup> /min)		0.15		0.2		0.25		0.25		0.31		0.35
脉冲阀规格 Pulse Valves Specifications	1"												
风机型号 Fan Type	4-72 №	4-72 №	4-72 №	4-68 № 4A 4kw						4-72 №	4-68 №	4-68 № 4.5A 7.5kw	
	3.2A	3.6A	3.6A							4A	4.5A		
	2.2kw	3kw	3kw							5.5kw	7.5kw		
重量 Weight(kg)	B	A	B	A	B	A	B	A	B	A	B	A	
	1220	1350	1470	1620	1670	1850	2150	2360	2540	2800	2800	3200	

# FSMC系列袋式除尘器

## FSMC Series Bag Filter



### 特点及优势

- 绞刀排灰方式或卸灰阀排灰方式，用户可根据需要进行选择。
- 可广泛应用于各行业的粉尘污染治理，特别是高浓度污染工况的治理。
- 结构设计合理，占地面积小，操作方便，运行平稳可靠，处理气量大，除尘效率及物料回收利用率高。
- 采用先进清洁技术，根据工况环境选择不同规格、性能的滤料，滤袋不粘度、不结露、能耗低、使用寿命长。
- 改善主机通风条件，提高粉末产品质量。
- 能够适应温度波动大、气体成分复杂、腐蚀力强的工况环境。

### 技术参数 Technical Data

型号 Model	FSMC75-2×5
过滤面积 Filter Area(m <sup>2</sup> )	2260
处理风量 Airflow(m <sup>3</sup> /h)	112000
过滤风速 Filtration Velocity(m/min)	0.83
风室数量 Wind Chamber Number	10
每风室滤袋数量 Filter Bag Number Per Wind Chamber	75
滤袋总数量 Total Number of Filter Bags	750
滤袋直径、长度 Diameter and Length of Filter Bag(mm)	Ø160×6000
滤袋材质 Material of Filter Bag	涤纶针刺毡 Polyester needle felt
骨架材质 Skeleton Material	有机硅喷涂 Silicone spraying
每风室脉冲阀(含电磁阀) Pulse Valve Number per Wind Chamber(including solenoid valve)	3"×50
每风室提升阀(含气缸) Lifting Valve Number per Wind Chamber(including air cylinder)	1
收尘器阻力 Dust Collector Resistance(Pa)	<1500
除尘效率 Dust Removal Efficiency(%)	99.99
入口含尘浓度 Entrance Dust Concentration(g/m <sup>3</sup> )	<100
出口含尘浓度 Exit Dust Concentration(mg/m <sup>3</sup> )	<10
气缸运行所需压缩空气压力 Compressed Air Pressure Required to Operate Cylinder(Pa)	0.5-0.7
壳体及灰斗材质 Material of Shell and Ash Bucket	Q235-B
电气控制方式 Electric Control	有手动和自动两种方式 Manual and automatic control
卸灰阀型号 Dust Valve Model	300x300 电动式 Electronic
回料绞龙 Screw Conveyer to Return Material	350

FSMC系列袋式除尘器广泛应用于水泥、化工、矿山等行业的粉尘污染治理及物料回收利用。

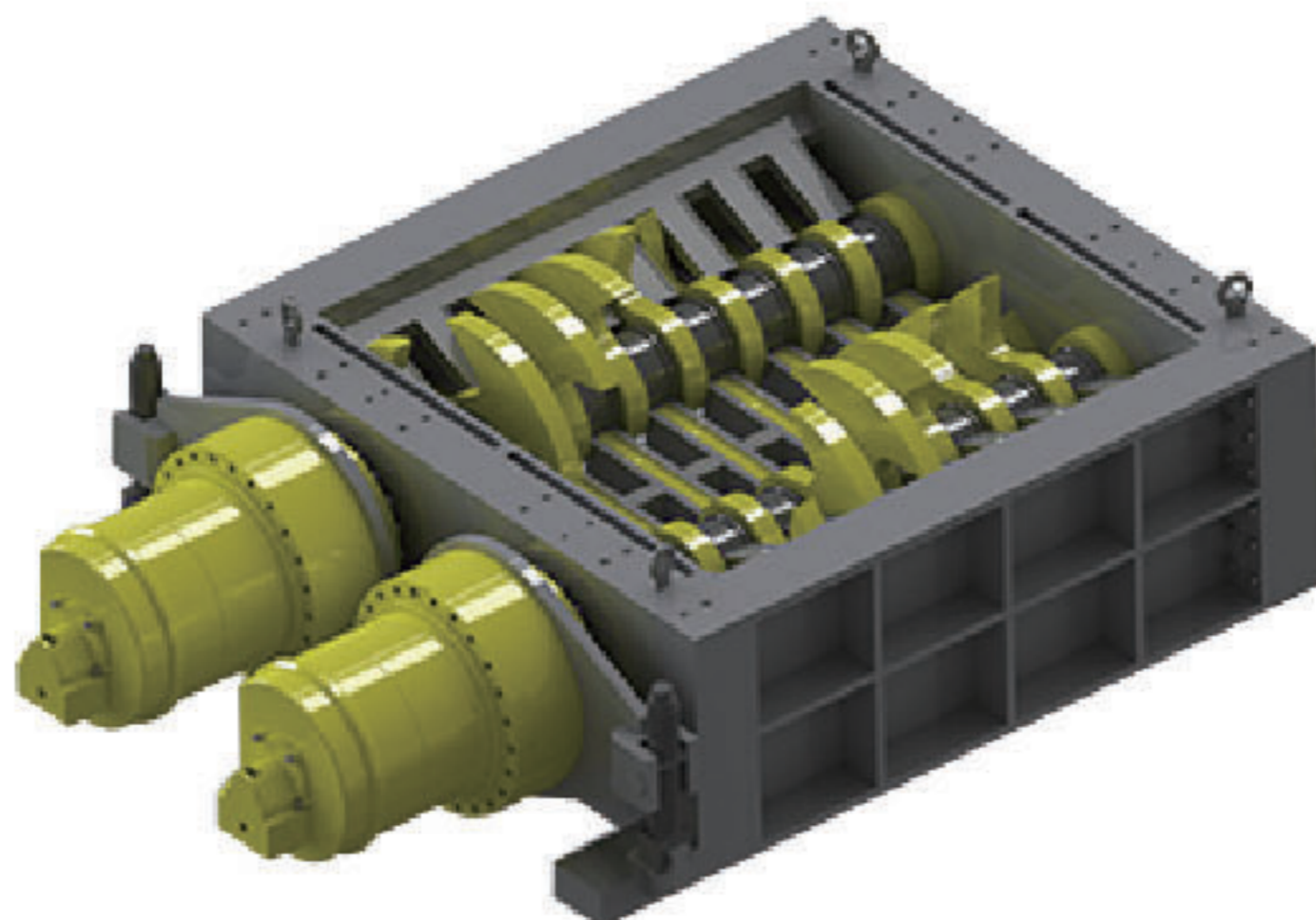
FSMC series bag filter is widely used in dust pollution control and material recycling and utilization in cement, chemical, mine and other industries.

### Features and Benefits

- Users may choose reamer or dust valve to remove dust according to the needs.
- Widely used in dust pollution control of various industries, especially of the high concentration pollution conditions.
- Reasonable structure design, easy and stable to operate, high productivity to process gas, high efficiency to remove dust and recycle the materials.
- Use advanced cleaning technology. Different specification, different types of filters, and different performances of materials are used according to the different operation conditions so that filter bag is non-viscous, non-condensation, low energy consumption and long service life.
- Improve the ventilation to improve the quality of powder production.
- Adapt to the operation condition of high fluctuation in temperature, complex gas composition, and strong corrosion.

# 双轴撕碎机

Double Shaft Shredder



双轴撕碎机主要用来处理长度超过 1 米或体积大于 0.2 立方米且整体性强而需要拆解后再利用或处理的大件垃圾，通过剪切、撕裂和挤压作用将大件垃圾破碎成较小规格物料，技术成熟、设计先进、质量可靠。

Double Shaft Shredder is mainly used to treat the large pieces of waste with a length of more than 1 meter or a volume of more than 0.2 cubic meters, which needs to be disassembled and reused due to its strong integrity. It can crush large pieces into smaller sized materials through shearing, tearing and extrusion. It has mature technology, advanced design and reliable quality.

## 特点及优势

- ◎ 破碎能力强
- ◎ 稳定性高
- ◎ 寿命长
- ◎ 易操作
- ◎ 使用成本低

## Features and Benefits

- ◎ Strong crushing ability
- ◎ High stability
- ◎ Long life
- ◎ Easy to operate
- ◎ Low cost

## 技术参数 Technical Data

型号 Model	SMDS-6
设备尺寸 Equipment Size (L x W x H) (m)	5.9x2.6x1.7
工作区尺寸 Work Area Size (m)	2.70x1.55
重量 Weight (t)	35
功率 Power (kw)	264-500
扭矩 Torque (kN.m)	320-450
大件垃圾处理能力 Capacity (t/h)	20-60
木材及易破碎物处理能力 Capacity (t/h)	35-70

# 滚筒筛

## Trommel Screen



滚筒筛作为主要筛分设备，通过与您沟通定制不同的滚筒筛尺寸，可以高效的对生活垃圾、有机垃圾、可回收垃圾、陈腐垃圾以及餐饮厨余垃圾进行筛分，满足后期更精细设备的筛分要求。同时，通过筒体的循环旋转，能够进行自我清洁，这对物料的循环利用和进一步的预加工处理有着积极的作用，并且，也能保证稳定和最佳的筛分过程。您将会得益于其高效的处理能力以及生产的高质量的替代燃料。

As one of the main sorting machine, trommel screen can effectively separate MSW, organic waste, recyclable waste, stale waste and kitchen waste by different drum screen sizes to optimize the material for the subsequent processing. The trommel screen can clean itself while working as it rotates, which maximize the separating efficiency and lessen the maintenance work. The high efficiency and the high quality will highly profit you in a long run time.

### 特点及优势

- ⊙ 带检视窗的检修门。
- ⊙ 防缠绕装置，减少维修。
- ⊙ 电力驱动，高效运行。
- ⊙ 紧凑的机身构造。
- ⊙ 可供选择的变频器。

### Features and Benefits

- ⊙ Quick maintenance check due to a window installed on the maintenance door.
- ⊙ Minimum maintenance work due to anti-winding design.
- ⊙ Efficient operation with electrical drive.
- ⊙ Save space due to compact construction design.
- ⊙ Optional frequency converter.

### 技术参数 Technical Data

滚筒直径尺寸 Drum Diameter Size	φ0.8 - φ3(m) (可沟通非标定制 Can be Customized)
滚筒有效长度尺寸 Drum Length	3 - 12(m)
驱动单元 Drive Unit	减速电机 Gear Motor 7.5 - 74(kw)
滚筒转速 Drum Speed	10 - 23(r/min)
环境温度 Ambient Temperature	0°C -- +45°C
电压 Voltage	3×380V±5%/50Hz
控制柜 Control Cabinet	独立式 (可系统集成) Detached (Can be Integrated)
功率控制 Power Control	变频器 Frequency Converter
筛网单元 Screen Unit	φ5 - φ350(mm) (可沟通非标定制 Can be Customized)
进料尺寸 Input Size	≤1000(mm)
产量 Throughput Capacity	10 - 150(m³/h)
筛分率 Screening Rate	80% - 95%

### 型号对照表 Model Table

型号 Model	单机功率 Power(kw)	长x宽x高 LxWxH(mm)	产能 Capacity(m³/h)	筒体规格 Drum Size(m)
1HSD1505A	11	6500X2400X2400	0-30	Φ1.5x5
1HSD2006A	22	6500X2500X2800	30-70	Φ2x6
1HSD2008A	30	9500X2500X2800	40-90	Φ2x8
1HSD2508A	37	10000X3200X3400	60-100	Φ2.5x8
1HSD2510A	45	14500X3200X3480	80-110	Φ2.5x10
1HSD2512A	55	16700X3200X3480	90-125	Φ2.5x12
1HSD3008A	45	11000X3600X3800	80-110	Φ3x8
1HSD3010A	55	15600X3600X3800	80-120	Φ3x10
1HSD3012A	60	17600X3600X3800	80-150	Φ3x12
1HSD2508B (高速型 High Speed Type)	45	11000X3200X3400	60-110	Φ2.5x8



张弛筛是用于小尺寸物料的筛分设备。设备通过飞轮激振器旋转时产生的离心力，带动筛体作向前的往复运动，形成振动。柔性筛网在惯性力的作用下，不断的松弛、张紧，从而将物料筛分出来。

The flip flow screen is for small-sized materials. The centrifugal force generated by the flywheel vibrator makes screen body to reciprocate forward to form vibration. The flexible screen plate is repeatedly relaxed and tensile under the action of inertial force. Thereby the material is screened out.

### 特点及优势

- ⊙ 对于粘度高或潮湿的物料具有更好的筛分效果。
- ⊙ 激振器采用模块化设计，可通过增减配重块来调整振幅。
- ⊙ 动态耐磨筛网使物料具有更好的流动性。
- ⊙ 筛面物料在筛分过程中具有高加速度，确保了筛面的自清洁效果。
- ⊙ 采用进口的柔性筛网，使用寿命更长。
- ⊙ 机身结构合理，具有防震保护功能。

### Features and Benefits

- ⊙ Especially perfect when separating sticky or wet material.
- ⊙ The vibrator is modular in design. The vibration range can be adjusted by increasing or decreasing the weight.
- ⊙ The flexible and wear resistant screen unit makes the material with more mobility.
- ⊙ The material has the high acceleration on the screen unit which helps to reach the self-cleaning function of the screen unit.
- ⊙ Longer service life due to the Germany-imported flexible screen unit.
- ⊙ The structure design is reasonable, and the screen body has good vibration resistance.

### 技术参数 Technical Data

型号 Model	ZCS1600A
进料尺寸 Input Size(mm)	≤60
筛网孔径 Screen Hole Diameter(mm)	14
尺寸 Dimension(mm)	7810x3500x1800
驱动单元 Drive Power(kw)	15
主轴转速 RPM	750
传动方式 Transmission	带轮传动 Pulley Drive
振动源 Vibration Source	飞轮激振器 Flywheel Vibrator
产量 Throughput Capacity(t/h)	8-12

注：产量会根据具体物料有所变动，上述为大约值。

**Note:** Through capacity can vary depending on the material. All values are approximate.



星型筛采用德国技术，主要用于筛下物的分拣。物料在旋转的星爪受料面做直线运动，小于星爪间隙的无机物料被分离，通过转运皮带送往收集点。大于星爪间隙的物料通过转运皮带机送往成品库。星爪轴采用链轮驱动，星爪德国进口，每支星爪上安装有耐磨金属板，能够起到自清理的作用。

Taking the advantages of German technology, star screen is mainly used for separation of downsized material. When in operation, the material moves in a line towards the discharging point. The material smaller than the screen hole is separated out then conveyed to the collecting point. The material larger than the screen hole will be conveyed to the final product storage area. The main shaft is driven by the chain wheel. Imported from the Germany, each star screen unit is equipped with the wear-resistant plate to maintain the good performance.

### 特点及优势

- 处理量高达200m<sup>3</sup>/h。
- 多种星形筛板规格可针对物料进行选择。
- 自清洁能力。
- 星床转速可调，优化筛分效果。
- 即使是较湿的物料，让可达到理想的筛分效果。
- 操作维修简单。

### Features and Benefits

- Throughput capacity rates up to 200m<sup>3</sup>/h.
- Various star size and specification for option depending on the individual material.
- Self-cleaning system.
- Optimized separation thanks to the adjustable speed of shaft.
- Always in a good performance even for wet material.
- Operation and maintenance friendly.

### 技术参数 Technical Data

型号 Model	1FXS0960A	1FXS1260A	1FXS1560A
长度 Length (mm)	6000/可定制Customized	6000/可定制Customized	6000/可定制Customized
有效宽度 Usable Width (mm)	900	1200	1500
星盘直径 Diameter of the Screen Plate (mm)	166	166	166
驱动功率 Power (kW)	2x4	2x4	4x4
出料尺寸 Output Size(mm)	10-30	10-30	10-30
处理量 Throughput Capacity(m <sup>3</sup> /h)	20-200	20-200	20-200

# 磨粉机

## Grinding Mill



**GSM系列德版重型磨粉机**  
GSM series Heavy Duty Grinding Mill



**GSMF系列德版超细环辊磨**  
GSMF series Micro Power Grinding Mill



**GLMF系列德版超细立磨**  
GLMF series Ultrafine Vertical Roller Mill



**GBM系列德版重型球磨**  
GBM series Heavy Duty Ball Mill

GSM系列磨粉机是山美采用德国技术和标准打造的高端磨粉机系列，在产品的设计、材料选用、质量控制及服务标准上远高于一些同类型磨粉机的生产企业，主要面对中大型矿石粉体高端客户，具有智能化、系统化、占地小、产量大、连续工作能力强等优势。

GSM series industrial grinding mill is the advanced grinding mill, which adopts the German advanced technology and standard. It has been taking the better position relatively owing to the product design, material selection, quality control and service standard. The grinding mill is the most suitable equipment for the customers who need the huge capacity, the intelligent system, the smallest occupation, and the continuously working ability.

### GSM系列德版重型磨粉机技术参数 *Technical Data of GSM Series Heavy Duty Grinding Mill*

型号 Model	磨环尺寸 Ring Diameter×Height(mm)	磨辊尺寸 Roller Diameter×Height(mm)	磨辊数量 Roller Quantity(pcs)	最大进料粒度 Max Feeding Size(mm)	出料尺寸 Output Size (mm)	产量 Capacity (t/h)	主轴转速 Main Shaft Speed(r/min)	风量 Air Volume (m³/h)	风压 Air Pressure (Pa)
GSM45	φ1100×200	φ320×200	3/4	≤25	0.038-0.18	1-7	145	24000	4200
GSM52	φ1300×240	φ370×240	4	≤30	0.038-0.18	2-10	125	20000	5500
GSM56	φ1400×280	φ410×280	4	≤30	0.038-0.18	3-15	105-115	32876	9435
GSM65	φ1620×300	φ450×300	5	≤30	0.038-0.18	3-18	102-110	41500	7400
GSM73	φ1850×300	φ510×300	5	≤30	0.038-0.18	6-32	92	75000	3550
GSM85	φ2150×300	φ600×300	6	≤40	0.038-0.18	8-40	85	89600	4677



GSMF系列德版超细环辊磨技术参数 *Technical Data of GSMF Series Micro Power Grinding Mill*

型号 Model	磨环尺寸 Ring Diameter×Height(mm)	磨辊数量 Roller Quantity(pcs)	磨环数量 Ring Quantity(pcs)	主轴转速 Main Shaft Speed(r/min)	最大进料粒度 Max Feeding Size(mm)	出料尺寸 Output Size(mm)	产量 Capacity(t/h)
GSMF32	φ800	21	3	240	≤10	0.005-0.044	0.5-4.5
GSMF40	φ1000	27/36	3/4	222	≤10	0.005-0.044	1-7
GSMF50	φ1250	40/44	4	145	≤10	0.005-0.044	1.5-12
GSMF66	φ1680	40/44	4	120	≤10	0.005-0.044	2-18

GLMF系列德版超细立磨技术参数 *Technical Data of GLMF Series Ultrafine Vertical Roller Mill*

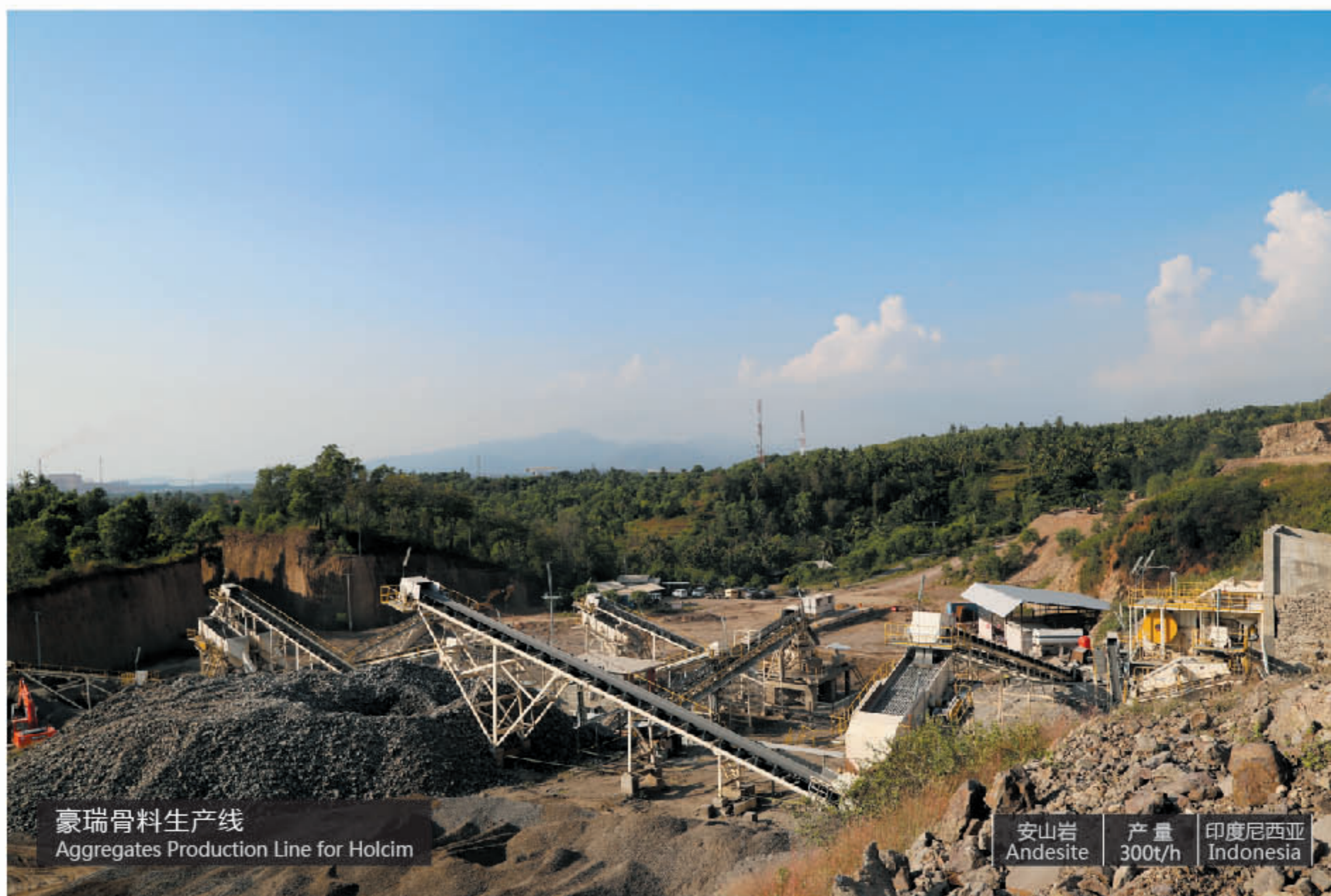
型号 Model	磨盘直径 Grinding Plate Diameter(mm)	最大进料粒度 Max Feeding Size (mm)	原料含水量 Raw Material Water Content(%)	出料尺寸 Output Size(mm)	产量 Capacity(t/h)	电机功率 Motor Power(kw)
GLMF36	900	10	≤6	0.005-0.044	1-10	132
GLMF45	1100	10	≤6	0.005-0.044	3-13	220
GLMF67	1700	10	≤6	0.005-0.044	4-25	400

GBM系列德版重型球磨技术参数 *Technical Data of GBM Series Heavy Duty Ball Mill*

型号 Model	筒体 Cylinder(mm)		筒体转速 Cylinder Rotation Speed(r/min)	装球量 Ball Weight(t)	最大进料粒度 Max Feeding Size (mm)	出料尺寸 Output Size (mesh)	产量 Capacity (t/h)	电机功率 Motor Power (kw)	重量 Weight(kg)
	直径 Diameter	长度 Length							
GBM1230	1200	3000	31.38	5.00	≤25	0.074-0.3	1.6-6.3	45	14009
GBM1245	1200	4500	31.38	6.50	≤25	0.074-0.3	1.8-3.9	55	16520
GBM1530	1500	3000	29.20	9.70	≤25	0.074-0.3	2.8-9	95	19500
GBM1545	1500	4500	29.58	14.00	≤25	0.074-0.3	4.8-11	110	28900
GBM1557	1500	5700	30.15	15.50	≤25	0.074-0.3	5-16	130	30782
GBM1564	1500	6400	30.15	16.00	≤25	0.074-0.3	5.4-17.8	155	31000
GBM1836	1830	3600	25.50	15.20	≤25	0.074-0.3	5.3-14.2	155	34560
GBM1845	1830	4500	25.50	20.00	≤25	0.074-0.3	7.3-17.2	180	35800
GBM1857	1830	5700	25.50	20.00	≤25	0.074-0.3	7.0-16.8	180	37961
GBM1864	1830	6400	24.20	18.50	≤25	0.074-0.3	6-12	210	38600
GBM1870	1830	7000	23.92	21.50	≤25	0.074-0.3	7.8-13.8	245	40886
GBM1875	1830	7500	23.92	21.51	≤25	0.074-0.3	7.8-14.7	245	41050
GBM1895	1830	9500	23.92	29.00	≤25	0.074-0.3	12-20.4	280	51108
GBM2136	2100	3600	23.80	28.00	≤25	0.074-0.3	6.2-36	210	52620
GBM2145	2100	4500	24.98	24.50	≤25	0.074-0.3	10-21	245	56990
GBM2160	2100	6000	24.98	33.00	≤25	0.074-0.3	9-36	380	62838
GBM2236	2200	3600	24.98	24.00	≤25	0.074-0.3	7-15.5	245	53750
GBM2245	2200	4500	24.98	26.00	≤25	0.074-0.3	9.5-20.5	320	57698
GBM2265	2200	6740	21.95	32.00	≤25	0.074-0.3	14-15	380	62635
GBM2270	2200	7240	21.95	33.00	≤25	0.074-0.3	10-18	380	65860
GBM2295	2200	9750	21.95	41.00	≤25	0.074-0.3	18-21	475	85952

# 国内外工程实例

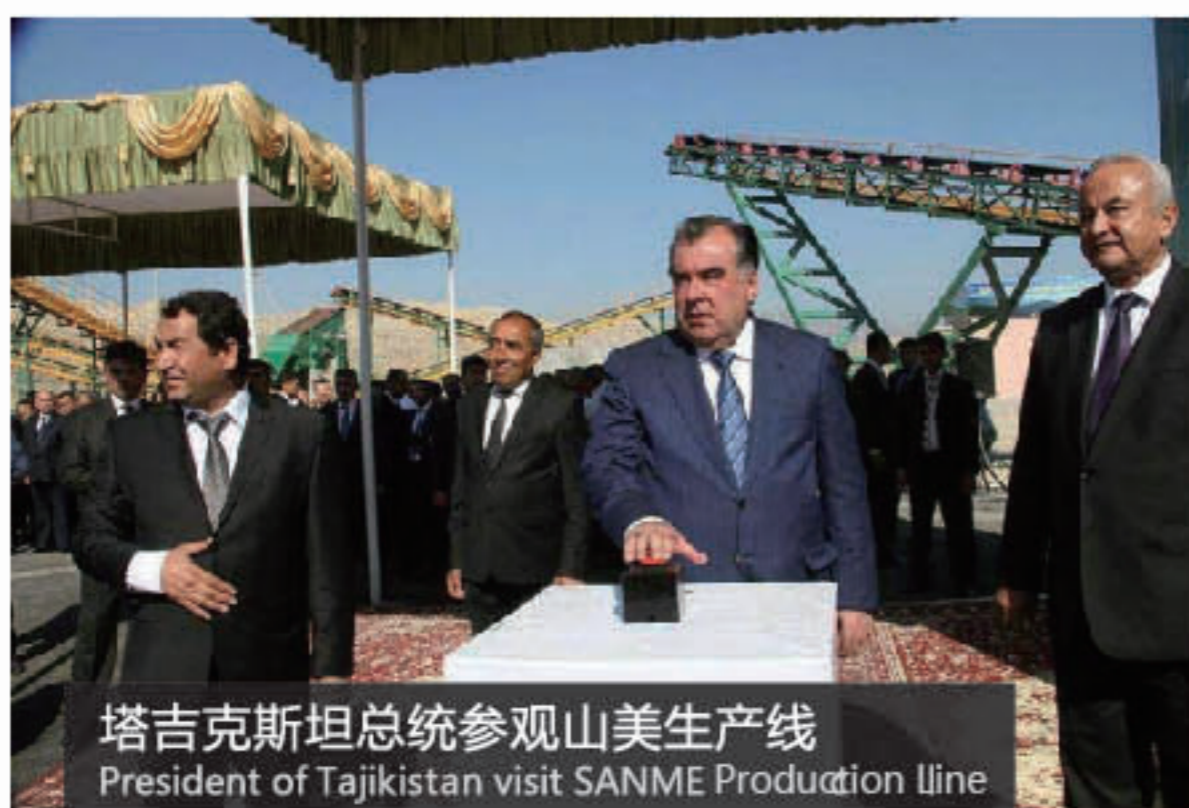
Project Example



# 国内外工程实例

Project Example







# 国内外工程实例

Project Example



# 国内外工程实例

Project Example









# 国内外工程实例

Project Example



# 国内外工程实例

Project Example



# 国内外工程实例

Project Example



# 国内外工程实例

Project Example



# 国内外工程实例

Project Example



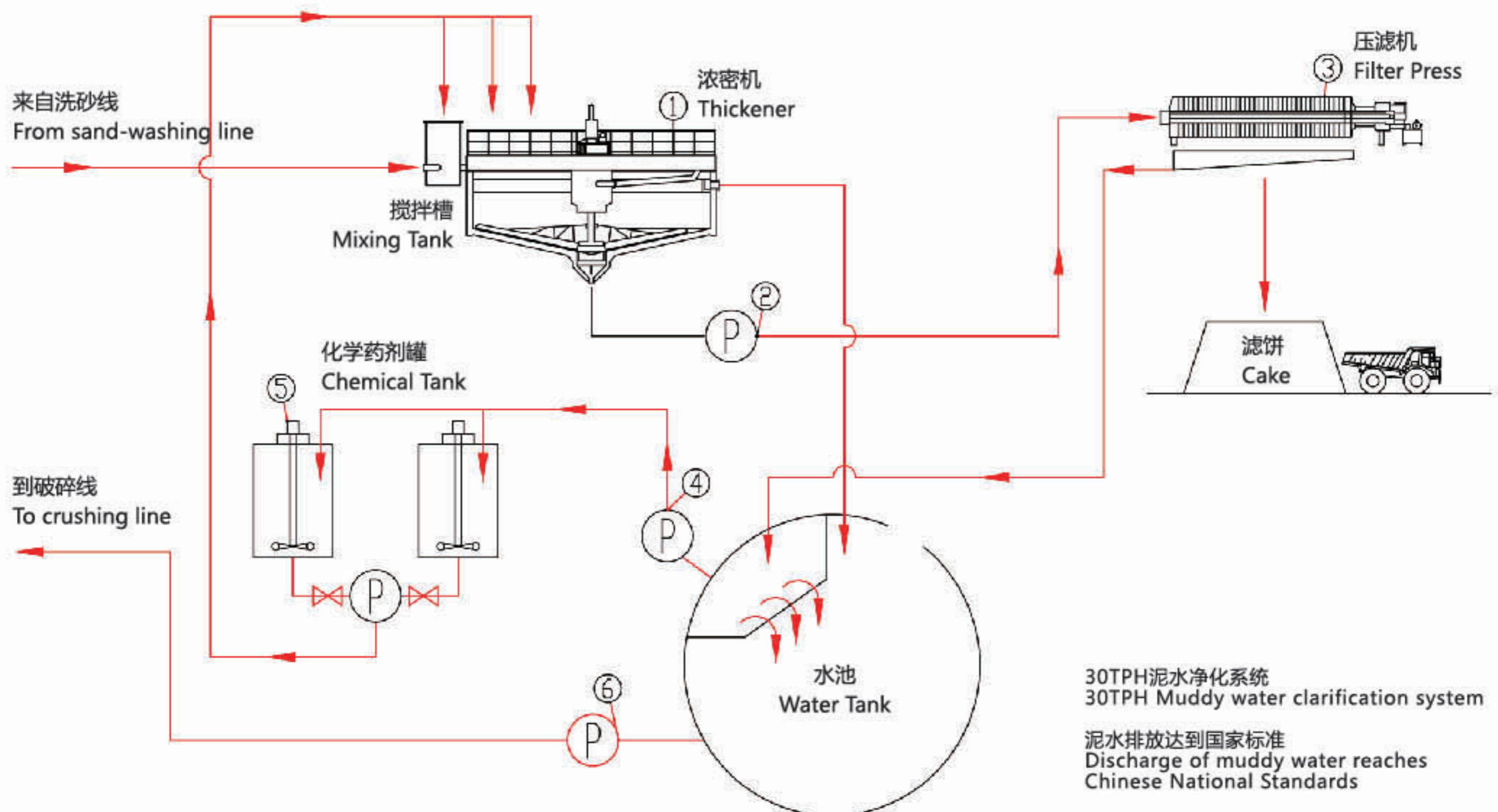
# 国内外工程实例

Project Example



# 泥水净化系统

## Muddy Water Clarification System





# 我们的客户

Our Customers



酒钢集团





山美股份欧洲员工勇攀欧洲第一峰-厄尔布鲁士峰  
SANME Europe team climbed the Mount Elbrus, the highest mountain in Europe



山美破碎机力量代言人-欧洲大力士伊万·萨夫金  
Power spokesman of SANME crusher -European powerlifter Ivan Savkin

# 企业文化

## Enterprise Culture





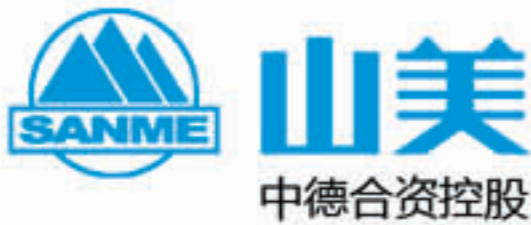
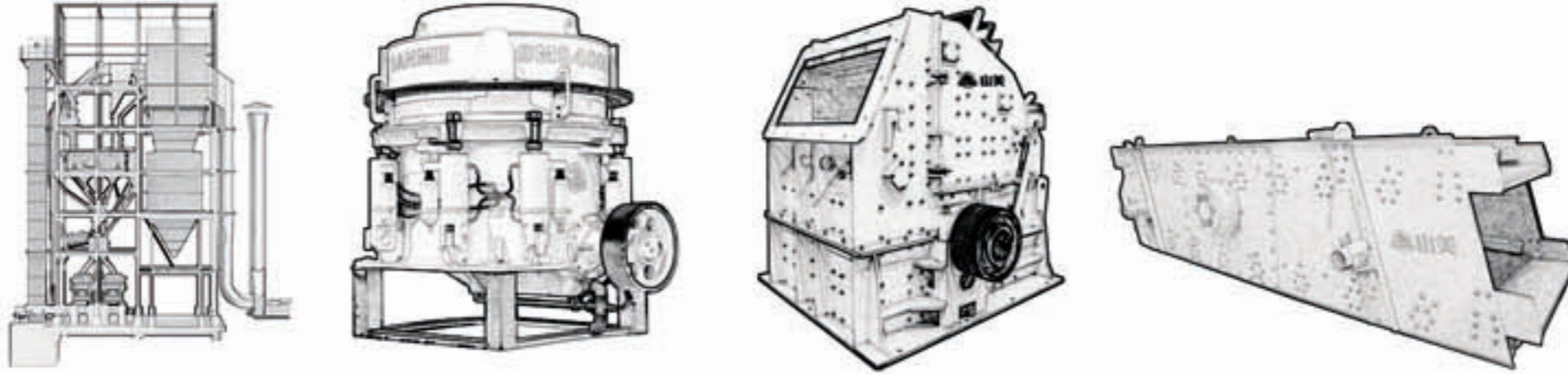
# 客户服务

Customer Service





# 安民从业三十五年



上海山美环保装备股份有限公司 (中德合资控股)  
SHANGHAI SANME MINING MACHINERY CORP., LTD. (Sino-German JV Holding)

地址：上海市奉贤区青村镇奉村路258号  
邮编：201414  
电话：021-5759 1166 5759 1188  
传真：021-5756 6188  
网址：www.shsmzj.com  
邮箱：info@sanmecorp.com

Add: No.258, Fengcun Road, Qingcun County, Fengxian District,  
Shanghai 201414, China  
Tel: +86-21-5712 1166 5759 1188  
Fax: +86-21-5756 6188  
Website: www.sanmecrusher.com  
E-mail: crusher@sanmecorp.com

免费热线：400-921-5566  
售后专线：021-5712 7766

Free Hotline: 400-921-5566  
Service Center: +86-21-5712 7766



山美股份 微信公众号

版权所有 翻印必究 中国印刷 Printed in China  
SANME-02C | TOTAL | 2020-08 | 5000